

# Woodstove Insert Installation – Customer Worksheet

Email finished worksheet to: [kchearth.service@gmail.com](mailto:kchearth.service@gmail.com)

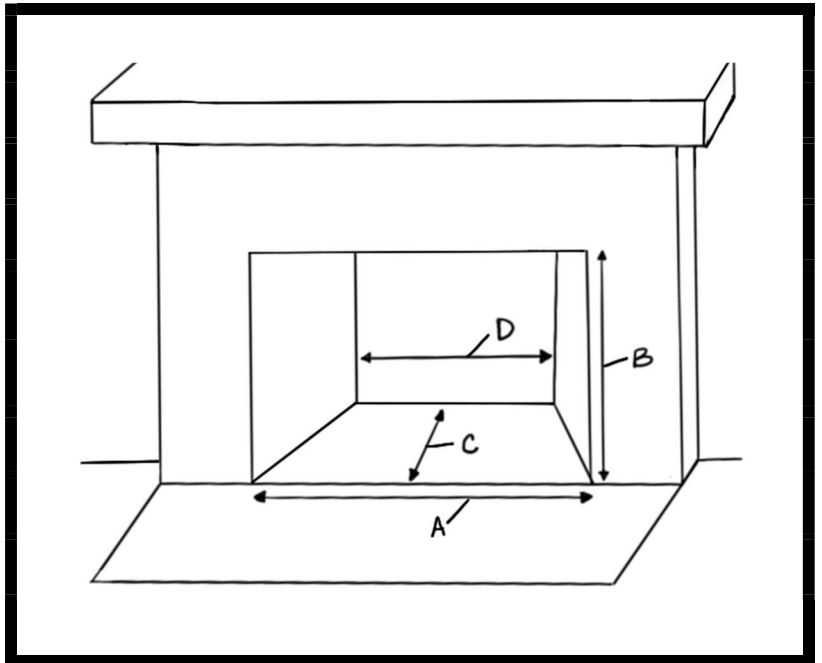
Initial Price Estimate: \$
-------------------------------

Name: \_\_\_\_\_ Phone: (      )      -      \_\_\_\_\_

Address: \_\_\_\_\_ Email: \_\_\_\_\_

City: \_\_\_\_\_ State: \_\_\_\_\_ Zip: \_\_\_\_\_

<b>OPTIONS</b>	<b>Buck Stove</b>	
	<b>UNIT:</b>	74
	<b>DOOR:</b>	✓ Black Door
	<b>PANELS:</b>	INCLUDED
	<b>BLOWER:</b>	INCLUDED
<b>Fireplace Measurements</b>		
<b>A</b>		inches
<b>B</b>		inches
<b>C</b>		Inches
<b>D</b>		inches

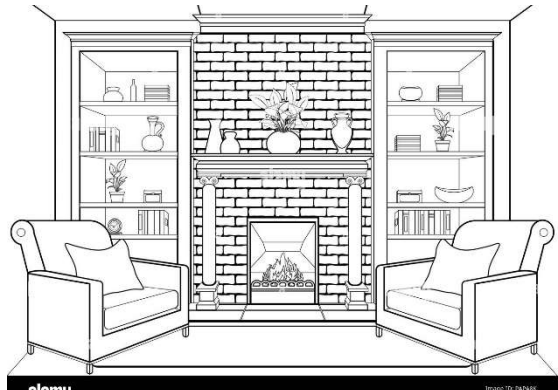


## Pictures are **REQUIRED** for a Proposal: *(More may be requested)*

1. Exterior photo of the home where you can see the chimney, ground to chimney cap.



2. Interior photo of the fireplace where you can see the floor to the ceiling.



**Thank you for your inquiry. We will put together a proposal and email it back as soon as possible.**