



## ZERO CLEARANCE WOOD FIREPLACE

With rustic style louver

# SOLUTION 2.5 ZC II

# EB00059



The fireplace has always been the heart of the living room. A unifying element, to this day it is still one of the most coveted projects of previous generations as well as those to come.

Designed to fulfill your expectations, the **Solution 2.5 ZC II** clearly stands out from other fireplaces. Endowed with exceptional performance and efficiency that is far ahead of the competition. With the consumer for whom wood is a clean and renewable source of heating in mind, Enerzone designers created this non-catalytic unit that truly stands out. Experience wood heating in its most complete form.

### ◆ REQUIRED COMPONENTS

- Black faceplate
- Rustic or traditional style louver

### ◆ OPTIONS

- Firescreen door
- Fresh air intake kit
- Insulated fresh air intake pipe
- Fresh air intake register with airtight damper (5" diameter)
- Forced air kit
- Insulated flex pipe for Forced air kit
- Hot air gravity kit - traditional or modern with adjustable pipes
- Hot air outlet grills - modern
- Heat shield for surround/shelf

### FEATURES

- Recommended heating area: 750 to 2,200 sq. ft.
- Firebox volume: 2.5 cu. ft.
- Maximum heat output (dry cordwood): 80,000 BTU/h
- Maximum log length: 20"
- Exterior dimensions (excluding faceplate): 36 3/4" W x 23 7/8" D x 40 5/8" H
- Combustion technology: Non-catalytic
- Included: 176 CFM blower with variable speed control

See complete technical data on page 22.



With traditional style louver

## ZERO CLEARANCE WOOD FIREPLACE

# SOLUTION 4.5 ZC

# EB00068

The **Solution 4.5 ZC** wood-burning fireplace reinvents the traditional fireplace experience by integrating a touch of modernity and ecological performance. It stands out for its high efficiency rate, ensuring abundant heat while optimizing your wood consumption. Its clean combustion technology significantly reduces emissions, making the **Solution 4.5 ZC** a preferred choice for wood heating enthusiasts concerned about the ecological impact of their fireplace. Designed for vast spaces, this large model offers a breathtaking view of the flames thanks to its wide glass door for maximum atmosphere and comfort.

### CARACTÉRISTIQUES

- Recommended heating area: 1,000 to 2,800 sq. ft.
- Firebox volume: 4.28 cu. ft.
- Maximum heat output (dry cordwood): 95,000 BTU/h
- Maximum log length: 25"
- Exterior dimensions (excluding faceplate): 43 3/8" W x 31 5/8" D x 50 3/4" H
- Combustion technology: Non-catalytic
- Included: 176 CFM blower with variable speed control



### ◆ REQUIRED COMPONENTS

- Black faceplate
- Rustic or traditional style louver
- Classic moulded brick panels

### ◆ OPTIONS

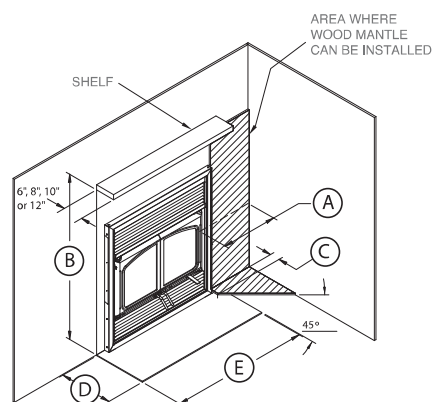
- Fresh air intake kit
- Insulated fresh air intake pipe
- Fresh air intake register with airtight damper (5" diameter)
- Forced air kit
- Insulated flex pipe for Forced air kit
- Hot air outlet grills - modern

See complete technical data on page 22.

# TECHNICAL DATA

## Specific features ♦ ZERO CLEARANCE WOOD FIREPLACES

Model	Solution 2.5 ZC II				Solution 4.5 ZC	
Color	Metallic black					
Maximum burn time *	8 hours				11 hours	
Combustion technology	Non-catalytic				Non-catalytic	
Maximum recommended heating area *	750 to 2,200 sq. ft.				1,000 to 2,800 sq. ft.	
Overall heat output rate (min. to max.)	12,700 BTU/h to 60,700 BTU/h				16,900 BTU/h to 43,000 BTU/h	
Maximum heat output (dry cordwood)	80,000 BTU/h				95,000 BTU/h	
Optimum efficiency	70%				70%	
Average particulate emissions rate	1.2 g/h				1.6 g/h	
Door opening dimensions (W x H)	25 3/8" x 10 1/2"				33" x 12 3/4"	
Firebox dimensions (W x D x H), behind andiron	20 3/8" x 17 1/2" x 12 1/8"				25 3/8" x 17 7/8" x 17"	
Firebox volume	2.5 cu. ft.				4.28 cu. ft.	
Glass viewing area (W x H)	22 1/4" x 13 1/2"				29 3/4" x 13"	
Door type	Double door with cast-iron frame					
Maximum log length	20"				25"	
Log positioning	East / West					
Flue spigot diameter	6"				8"	
Minimum chimney height (from the base of fireplace)	15'				15'	
Glass type	Ceramic glass					
Warranty	Lifetime, limited					
Test standard - Emissions / efficiency	EPA / CSA B415.1-10				EPA / CSA B415.1-10	
Test standard - Safety	As per ULC-S610, UL 127, NFPA 211 et CSA B365, applicable in Canada and in the USA					
<b>Exterior dimensions and weight</b>						
Width	36 3/4"				50 3/4"	
Depth	23 7/8"				31 5/8"	
Height	40 5/8"				43 3/8"	
Weight	523 lb (237 kg)				545 lb (247 kg)	
<b>Clearances to combustibles materials* (See drawing below)</b>						
A- Side wall	13"				24"	
B- Combustible mantle shelf dimension	6"	8"	10"	12"	Non-combustible only	
Minimum clearance from a mantle shelf (from the base of the fireplace)	58"	60"	62"	64"	52"	
C- Side mantle	8"				6"	
D- Minimum floor protection — front	16"				32"	
E- Minimum floor protection — width	41.5"				49"	
Back wall	0"				0"	
Sides	0"				0"	
Floor (under the fireplace)	0"				0"	
Ceiling (from the base of the fireplace)	80"				84"	
<b>Options and required components</b>						
				See page 20		See page 21



### Listed chimneys, manufacturers, brands and types (see note 1): zero clearance wood fireplaces

MANUFACTURERS	BRANDS	TYPES	Solution 2.5 ZC II	Solution 4.5 ZC
Olympia Chimney / SBI Venting Division	Ventis	1" Solid Pack	X	X
Olympia Chimney	Champion Chimney System	1" Solid Pack	X	X
Olympia Chimney	Rockford Chimney Systems	1" Solid Pack	X	X
SBI Venting Division	Nexvent	1" Solid Pack	X	X
American Metal	HSS	AC Triple Wall	X	X
American Metal	HS	AC Triple Wall	X	X
DuraVent	Dura Tech	1" Solid Pack	X	X
DuraVent	Dura Tech Canada DTC	1" Solid Pack	X	X
DuraVent	Dura Plus	AC Triple Wall	X	X
DuraVent	Dura Plus HTC	2" Solid Pack	X	X
DuraVent	Dura Tech Premium	2" Solid Pack	X	X
Metal Fab	Temp Guard	1" Solid Pack	X	X
Security Chimney	S-2100 +	2" Solid Pack	X	X
Selkirk	Super Vent 2100 (JM)	2" Solid Pack	X	
Selkirk	CF Sentinel (CF)	2" Solid Pack	X	
Selkirk	Super Pro 2100 (ALT)	2" Solid Pack	X	

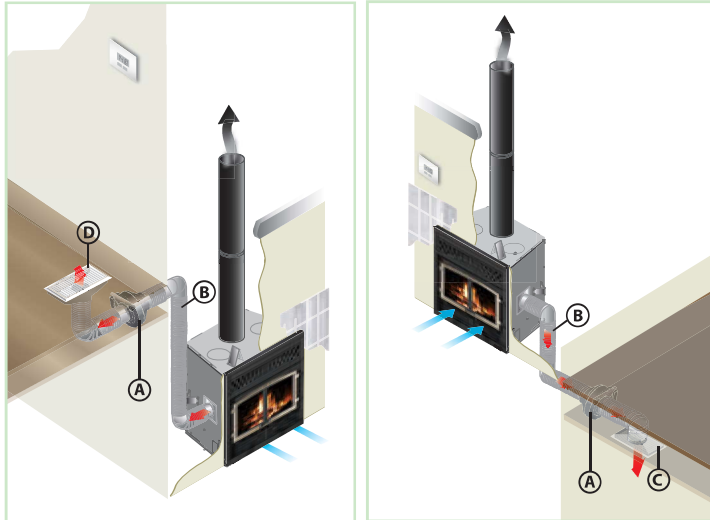
\* Recommended heating area and maximum burn time may vary subject to location in home, chimney draft, heat loss factors, climate, fuel type and other variables. The recommended heated area for a given appliance is defined by the manufacturer as its capacity to maintain a minimum acceptable temperature in the designated area in case of a power failure.

Note 1 : Specific components may be required depending on the chimney manufacturer.

Technical data contained in this brochure are for reference only. Any installation must be done according to the data and drawings detailed in the owner's manual.

## IT'S NOW TIME TO MANAGE HEAT DISTRIBUTION!

EPA certified wood fireplaces generate a lot of heat. For the most part, they generate too much for the room where they are located. Therefore, you need to manage the excess heat and send it where it is needed. To provide a solution, our research and development laboratory has designed the Heat Management System, an innovative technology that allows the recovery of the heat produced during combustion to redirect it into distribution ducts to heat other areas in your home.



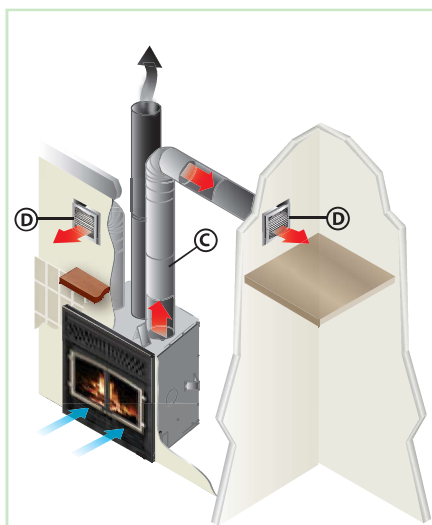
Forced air kit (heat management distribution system)

### Forced air kit

This system allows you to manage the heat distribution automatically. Using a wall thermostat, you can select the temperature you want to maintain in the room where the fireplace is located. Once the thermostat is satisfied, the excess heat is redirected to another room up to 50 feet (15 m) away from the fireplace using a 300 CFM blower. That way, you can enjoy a nice fire in your living room without the discomfort of excess heat generated by your Enerzone fireplace.

The system can also be used to supplement heat in a room remote from the fireplace. For this type of application, the thermostat needs to be positioned in the desired room and programmed with the temperature to be maintained. The system, now in "heat mode", will activate the blower as long as the temperature in the remote room is not achieved and that the fireplace has enough heat to distribute.

## Enerzone also offers you another way to distribute excess heat into your home with the help of a hot air gravity kit



Hot air gravity kit

### Hot air gravity kit (Solution 2.5 ZC II only)

The hot air gravity kit allows you to bring hot air into the same room as the fireplace, in adjacent rooms, or up-stairs at a maximum distance of 10' (3 m). The minimum height of the hot air duct must be 68" (1.7 m) measured from the base of the fireplace to the top of the hot air register.

For more details about the installation requirements of the forced air kit or the hot air gravity kit, visit [www.enerzone-intl.com/en/service-support/heat-distribution-system](http://www.enerzone-intl.com/en/service-support/heat-distribution-system).

Suggested installation: A) 300 CFM blower B) Hot air flexible pipe C) Hot air rigid pipe D) Air register. The information contained in this page is for information purposes only. For a detailed part list of kits content, please refer to the owner's manuals.

# ENERZONE LIMITED LIFETIME WARRANTY

## on **SCHOTT ROBAX® Ceramic Glass**

SCHOTT ROBAX® glass-ceramic panels combine high quality, thermal resistance, and one-of-a-kind material properties to offer pure fireside pleasure with an unobstructed and safe view of the fire. 95% made of quartz sand and two other natural raw materials, SCHOTT ROBAX® glass-ceramic panels boast extremely low thermal expansion. These panels are especially heat resistant and can withstand blazing short-term temperatures, as well as substantial temperature fluctuations and thermal shocks. Given their high IR transmission values, SCHOTT ROBAX® glass-ceramic panels also allow for the heat produced inside the firebox to be more efficiently transferred through the glass.

As the quality of the components of our appliances is a priority at Enerzone, we have chosen the SCHOTT ROBAX® solution for our appliances and offer a limited lifetime warranty on ceramic glass.

**For more details on our product warranty: [enerzone-intl.com/en/warranty](http://enerzone-intl.com/en/warranty)**

**SCHOTT  
ROBAX®**

# WHY CHOOSE ENERZONE?

## BEST WARRANTY IN CLASS LIFETIME

Welds (combustion chamber)	LIFETIME
Convactor air-mate	LIFETIME
Ceramic glass	LIFETIME
Cast iron door frame	LIFETIME
Plating	LIFETIME

## RUGGED

Steel up to 3/8" thick!  
Yes, you are buying value and peace of mind.

## DOOR LATCH

Easily adjustable insuring a close and air-tight fit every time.

## AIR WASH SYSTEM

With all Enerzone wood-heating solutions, your glass stays clean. Enjoy the view!



## MADE HERE

Produced in North America using the latest equipment. Guaranteed to meet your expectations.

## EFFICIENT & CLEAN

Fewer particles into the atmosphere, longer burn times, and less heat loss through the flue.

Optimum efficiency of 74% or more

All appliances are compliant with the most recent EPA or CSA regulations.

## BAFFLE

Made of C-Cast™ or equivalent.

Unparalleled performance and durability material.

## FIREBRICK

Not the light stuff!

This is heavy-duty firebox protection.

[www.enerzone-intl.com](http://www.enerzone-intl.com)

## CONTACT US

### Customer Service

Phone: 1 888 539-0864

[possiblepurchase@sbi-international.com](mailto:possiblepurchase@sbi-international.com)

Monday - Friday: 8 a.m. to 12 p.m. — 1 p.m. to 5 p.m. (EST)

### Technical Support

Phone: 1 877 356-6663

[tech@sbi-international.com](mailto:tech@sbi-international.com)

Monday - Friday: 8 a.m. to 12 p.m. — 1 p.m. to 5 p.m. (EST)

PUB048A



11-2025