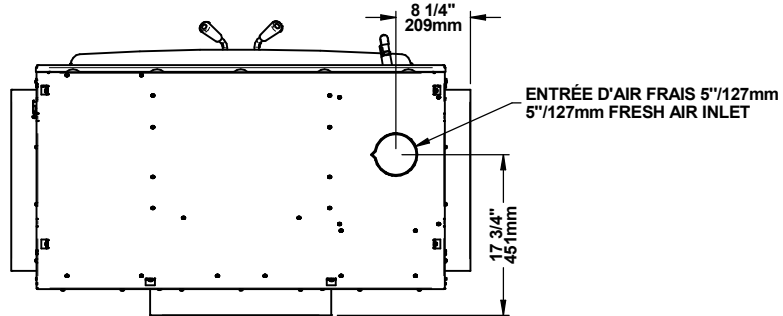
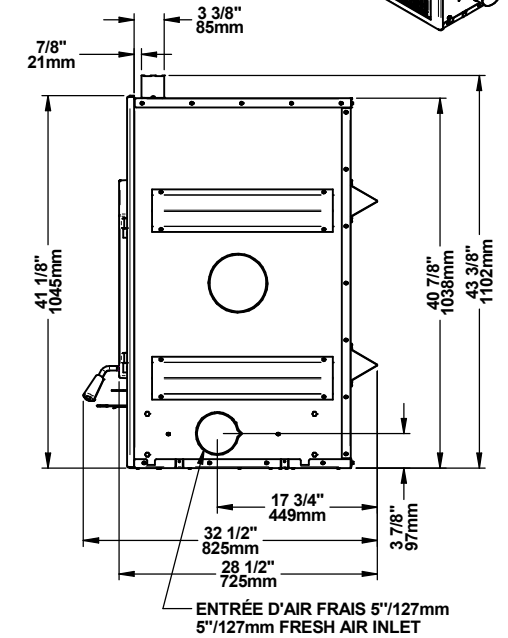
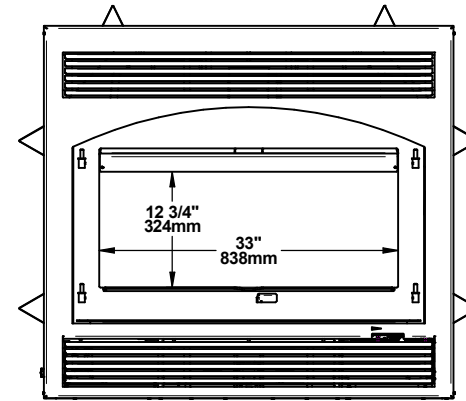
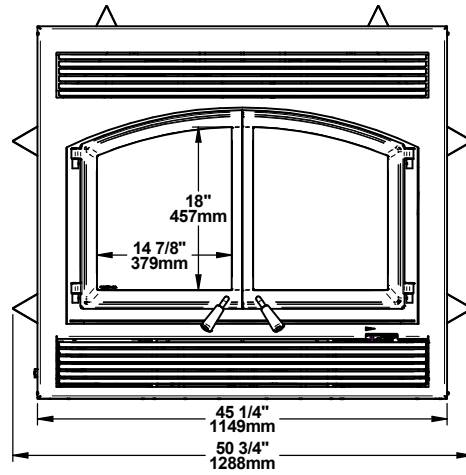
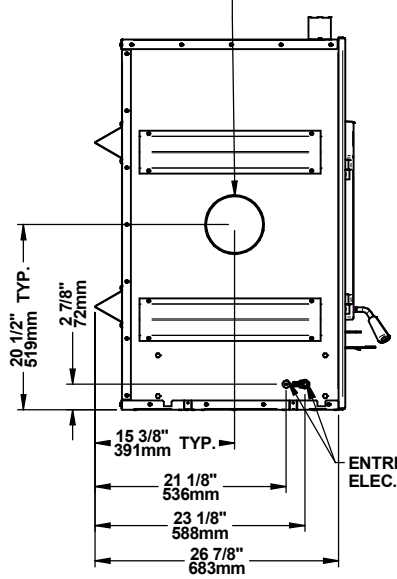


DISTRIBUTION PAR AIR FORCÉ 6"/152mm (2)  
/ FORCED AIR KIT 6"/152mm (2)



SOLUTION 4.5 ZC (EB00068)

© 2024, FABRICANT DE POÊLES INTERNATIONAL INC. TOUS DROITS RESERVÉS / ALL RIGHTS RESERVED