

Vent Free Gas Log – Customer Worksheet

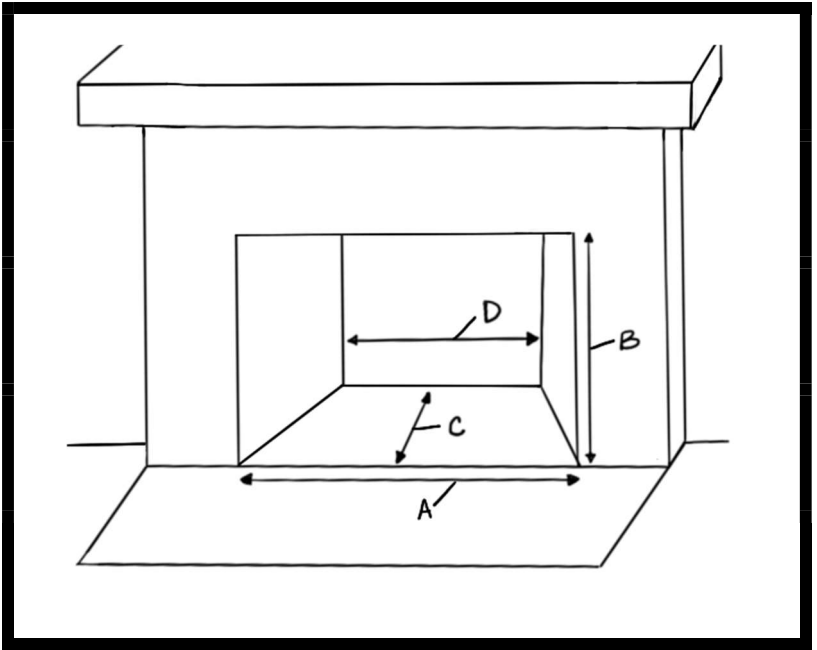
Email finished worksheet to: kchearth.service@gmail.com

Name: _____ Phone: () - _____

Address: _____ Email: _____

City: _____ State: _____ Zip: _____

Masonry Fireplace Measurements	
A	_____ inches
B	_____ inches
C	_____ Inches
D	_____ inches



Zero Clearance Fireplace Measurements	
A	_____ inches
B	_____ inches
C	_____ Inches
D	_____ inches

