

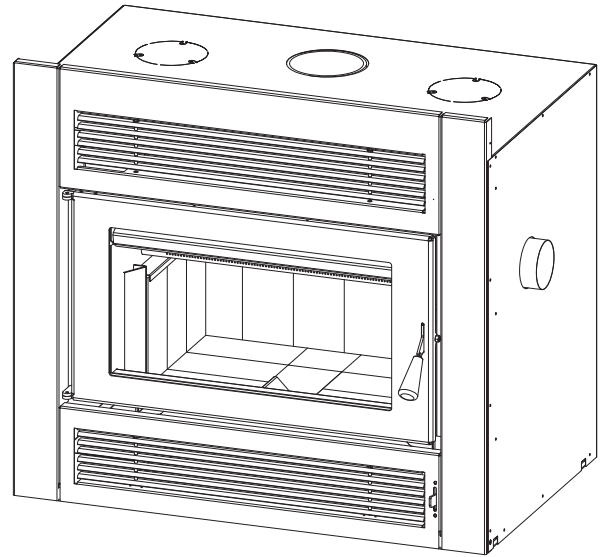
Z - 4 2 & Z - 4 2 - C D

Models #Z-42 & Z-42-CD

Zero Clearance Factory Built Fireplace

English and French installation manuals are available through your local dealer. Visit our website www.kozyheat.com.

Les manuels d'installation en français et en anglais sont disponibles chez votre détaillant local. Visitez www.kozyheat.com.



⚠ WARNING:

Read instructions carefully before installation. Failure to install this fireplace correctly can cause serious structural and fire hazards and may void your warranty.

- Do not store or use gasoline or other flammable vapors and liquids in the vicinity of this fireplace or any other appliance.
- Do not overfire.
- For use with solid wood fuel only.
- Comply with all minimum clearances to combustibles as specified. Failure to comply may cause house fire.



WARNING



HOT SURFACES!

Glass and other surfaces are hot during operation AND cool down.

Hot glass will cause burns.

- DO NOT touch glass until its cooled
- NEVER allow children to touch glass
- Keep children away
- CAREFULLY SUPERVISE children in the same room as the fireplace
- Alert children and adults to hazards of high temperatures
- Keep clothing, furniture, draperies and other flammable materials away

**INSTALLER: Leave this manual with the appliance.
CONSUMER: Retain this manual for future reference.**

Read this manual before installation or operating this appliance.
Please retain this owner's manual for future reference.

CONGRATULATIONS!

We welcome you as a new owner of a Kozy Heat fireplace. Kozy Heat products are designed with superior components and materials, and assembled by trained craftsmen who take pride in their work. To ensure you receive a quality product, the complete fireplace is thoroughly inspected before packaging. Our commitment to quality and customer satisfaction has remained the same for over 40 years. We offer a complete line of gas and wood fireplaces, along with stylish accessories to complement any decor. Adding a fireplace is one of the best ways to increase the value of your home, and we are proud to offer a network of dealers throughout the country to help make your experience everything you imagine. We pride ourselves in being dedicated not only to functionality and reliability, but also customer safety. We offer our continual support and guidance to help you achieve the maximum benefit and enjoyment from your Kozy Heat fireplace.

Jim Hussong
President



Dudley Hussong
Board Chairman



Homeowner Reference Information

We recommend you record the following information:

Model Name: _____ Date purchased/installed: _____

Serial Number: _____ Location of fireplace: _____

Dealership Purchased from: _____ Dealer phone: _____

Notes: _____

TABLE OF CONTENTS

TABLE OF CONTENTS	5	4.9 Operating Instructions.....	21
1.0 INTRODUCTION	7	4.10 Maintenance	21
1.1 Appliance Certification	7	5.0 OPTIONAL FAN INSTALLATION	22
1.2 California Proposition 65 Warning	7	5.1 #600-1 Optional Fan Kit	22
1.3 Safety Information.....	7	6.0 INSTALLATION	24
1.4 Installation Overview	7	6.1 Chimney Requirements.....	24
2.0 SPECIFICATIONS	8	6.2 Approved Chimney Systems.....	24
2.1 Btu & Efficiency Specifications	8	6.3 Anchor Plate Installation	24
2.2 Electrical Specifications	8	6.4 Chimney Location.....	25
2.3 Fireplace Dimensions	9	6.5 Chimney Installation.....	26
3.0 INSTALLATION PLANNING	10	7.0 FIREPLACE SETUP	28
3.1 Fireplace Placement Clearance Requirements.....	10	7.1 Firebrick Installation	28
3.2 Clearances to Combustibles	11	7.2 Grill Set Installation and Removal	29
3.3 Wall Enclosure Rough Opening	12	7.3 Door Handle Installation	29
3.4 Hearth Extension	13	7.4 Door Seal Alignment and Adjustment.....	30
3.5 Alternate Floor Protection Material.....	14	8.0 FIREPLACE OPERATION	32
3.6 Combustion Air Duct Pipe	15	8.1 Fireplace Information	32
3.7 Mantel and Facing Requirements.....	17	8.2 Tips for Burning	32
4.0 #970 HEAT DUCT KIT	18	8.3 How to Operate the Z-42 Fireplace	32
4.1 Kit Components.....	18	9.0 MAINTENANCE REQUIREMENTS	33
4.2 Specifications	18	9.1 Ash Disposal.....	33
4.3 Prepare the Fireplace.....	19	9.2 Creosote - Formation and Need for Removal	33
4.4 Attach Heat Duct Pipe to Fireplace	19	9.3 Glass Information.....	33
4.5 Install Register Mounting Frame and Junction Box	20	10.0 TROUBLESHOOTING	34
4.6 Install and Wire Fan Assembly.....	20	11.0 REPLACEMENT PARTS	35
4.7 Run and Secure Duct Pipe	21	LIMITED 20 YEAR WARRANTY	37
4.8 Complete the Installation	21		

1.0 INTRODUCTION

1.1 Appliance Certification


Laboratory: PFS in Cottage Grove, Wisconsin

Standards:

UL 127-2015 (R2016) and CAN/ULC S610-87 Safety Standards for U.S. and Canadian installations.

U.S. ENVIRONMENTAL PROTECTION AGENCY Certified to comply with 2020 particulate emission standards using cord wood.

1.2 California Proposition 65 Warning

 **WARNING:** This product and the fuels used to operate this product (wood), and the products of combustion of such fuels, can expose you to chemicals including carbon black, which is known to the State of California to cause cancer, and carbon monoxide, which is known to the State of California to cause birth defects or other reproductive harm. For more information, go to www.P65Warnings.ca.gov

1.3 Safety Information

WARNING: THIS FIREPLACE HAS NOT BEEN TESTED WITH AN UNVENTED GAS LOG SET. TO REDUCE THE RISK OF FIRE OR INJURY, DO NOT INSTALL AN UNVENTED GAS LOG SET INTO THIS FIREPLACE.

For further information on using your fireplace safely, obtain a copy of the National Fire Protection Association publication "Using Coal & Wood Stoves Safely" NFPA No. HS-10.

This fireplace installation must conform with local building codes, or in the absence of local codes, with the NFPA 211 Standard for Chimneys, Fireplaces, and Vents.

Installation and repair should only be performed by a qualified installer.

This wood heater needs periodic inspection and repair for proper operation. It is against federal regulations to operate this wood heater in a manner inconsistent with operating instructions in this manual.

CAUTION: Check building codes prior to installation.

- Installation **MUST** comply with local, regional, state, and national codes and regulations.
- Consult insurance carrier, local building, fire officials or authorities having jurisdiction about restrictions, installation inspection, and permits.

It is required in some jurisdictions to install smoke and carbon monoxide detectors where heaters are installed. Install at least one smoke detector on each floor of your home to ensure your safety. It should be located away from the wood appliance and close to the sleeping areas. Locating a smoke detector too close to a wood appliance can cause the smoke detector alarm to sound if a puff of smoke is emitted while the wood appliance door is open during reloading. Follow the smoke detector manufacturers placement, installation, and maintenance instructions.

1.4 Installation Overview

NOTE: *The qualified installer should follow the procedure best suited for the installation.*

1. If masonry (optional) is to be used, prepare the foundation for the masonry load. A lintel is required to support the added weight above the fireplace.
2. Frame an opening for the fireplace, allowing for vent installation and type of installation (corner, flat wall application).
3. Install optional hearth.
4. Install optional heat duct venting.
5. Install any electrical wiring.
6. Install fireplace into framing.
7. Attach combustion air pipe.
8. Install chimney.
9. Install desired facing material.
10. Install mantel.
11. Install optional fan.
12. Install firebrick.
13. Install door components and grills.
14. Install any optional decorative accessories.

2.0 SPECIFICATIONS

2.1 Btu & Efficiency Specifications

EPA Certification #	18-449
EPA Certified Emissions	1.22 grams per hour
LHV Tested Efficiency	70.6%
HHV Tested Efficiency	66.0%
Burn time (length of high fire test / low fire test)	2 - 9 hours
EPA Btu Output	12,850-36,231 Btu/ hr
*Peak Btu/hour Output	49,133 Btu/hr
**Optimum Efficiency	73.32
Fuel	Cord wood
*A peak BTU out of the appliance is calculated using the maximum first hour burn rate from the High EPA Test and the BTU content of cordwood times the efficiency.	
**Optimum efficiency is calculated using the medium fire test burn data, BTU content of the cordwood, and the best case moisture content of the cordwood.	
This wood heater has a manufacturer-set minimum low burn rate that must not be altered. It is against federal regulations to alter this setting or otherwise operate this wood heater in a manner inconsistent with operating instructions in this manual.	

2.2 Electrical Specifications

Code approved line voltage wiring 14 gauge or better must be used when wiring the optional #600-1 fan kit assembly. Refer to local codes for specific requirements.

This appliance must be electrical grounded and connected with local codes, or in the absence of local codes, with the *National Electrical Code, ANSI/NFPA 70 Current Edition*, or the *Canadian Electrical Code CSA C22.1*.

2.3 Fireplace Dimensions

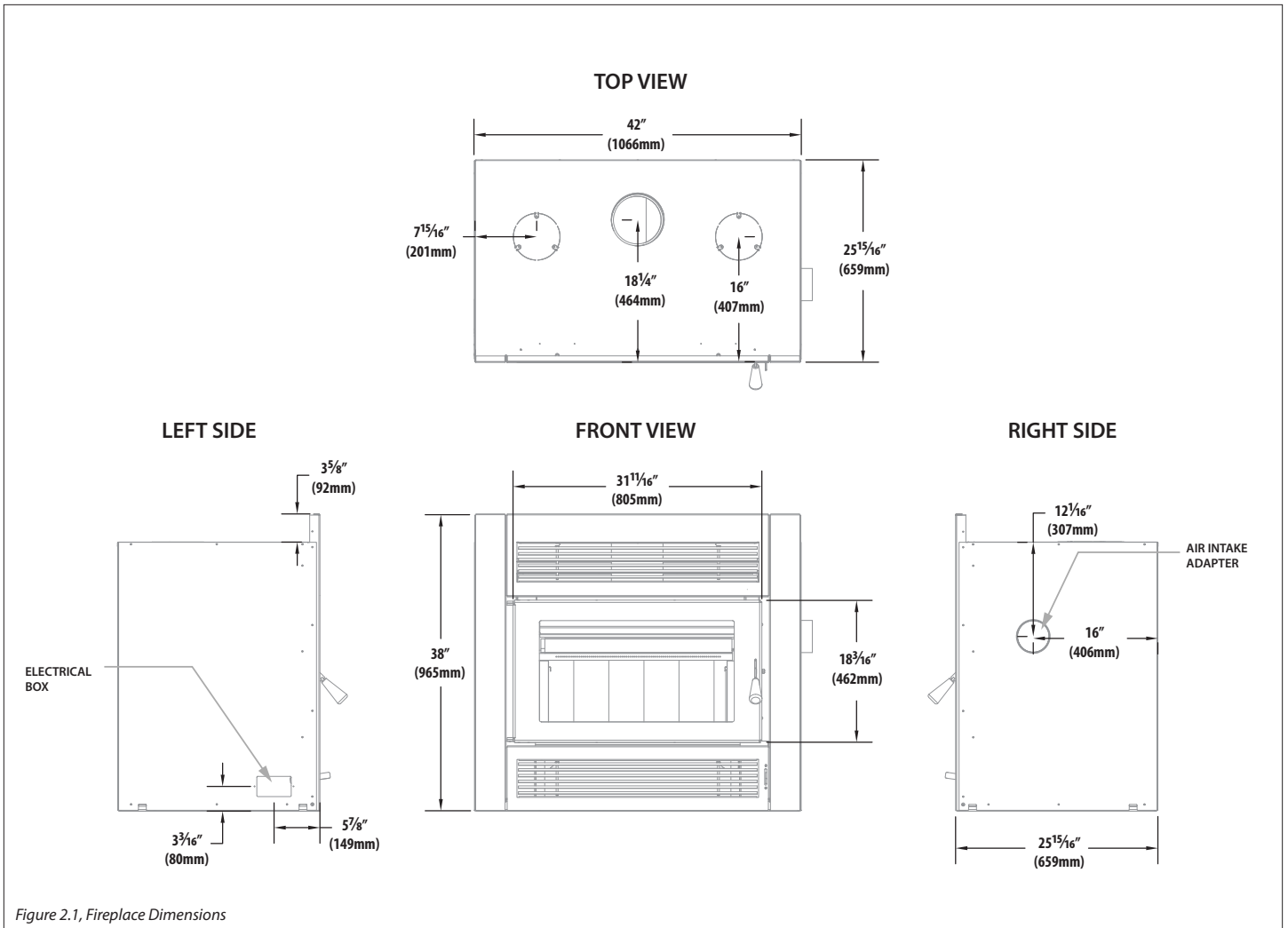


Figure 2.1, Fireplace Dimensions

3.0 INSTALLATION PLANNING

3.1 Fireplace Placement Clearance Requirements

WARNING: Follow all instructions and clearances as outlined throughout this manual.

- Location of doors and windows on all floors of the home in relation to the fireplace and chimney must be considered and be in compliance with applicable codes, if any.
- This fireplace must be installed on a level surface capable of supporting the fireplace and venting.
- The fireplace must be placed directly on wood or non-combustible surface (not linoleum or carpet) extending the entire depth and width of the fireplace.
- Metal sealing strips must be used under the fireplace and hearth extension. See section 3.4 Hearth Extension on page 13 for more information.
- Due to high surface temperatures, the fireplace should be located out of traffic and away from furniture and draperies.

- The minimum hearth extension floor area is 16" (406mm) in front of the fireplace opening and 8" (203mm) beyond each side of the fireplace opening. The minimum hearth extension must be insulated with non-combustible floor protection with a minimum insulation R-value of 0.8.
Manufactured hearth materials have a published **R value (resistance to heat)** or **k value (conductivity of heat)**. Use the following formula to convert a k value to a R value.
 $R=1/k \times \text{inches of thickness}$. See section 3.5 Alternate Floor Protection Material on page 14 for full equation.
- Please be aware of the large amount of heat this fireplace will produce when determining a location.

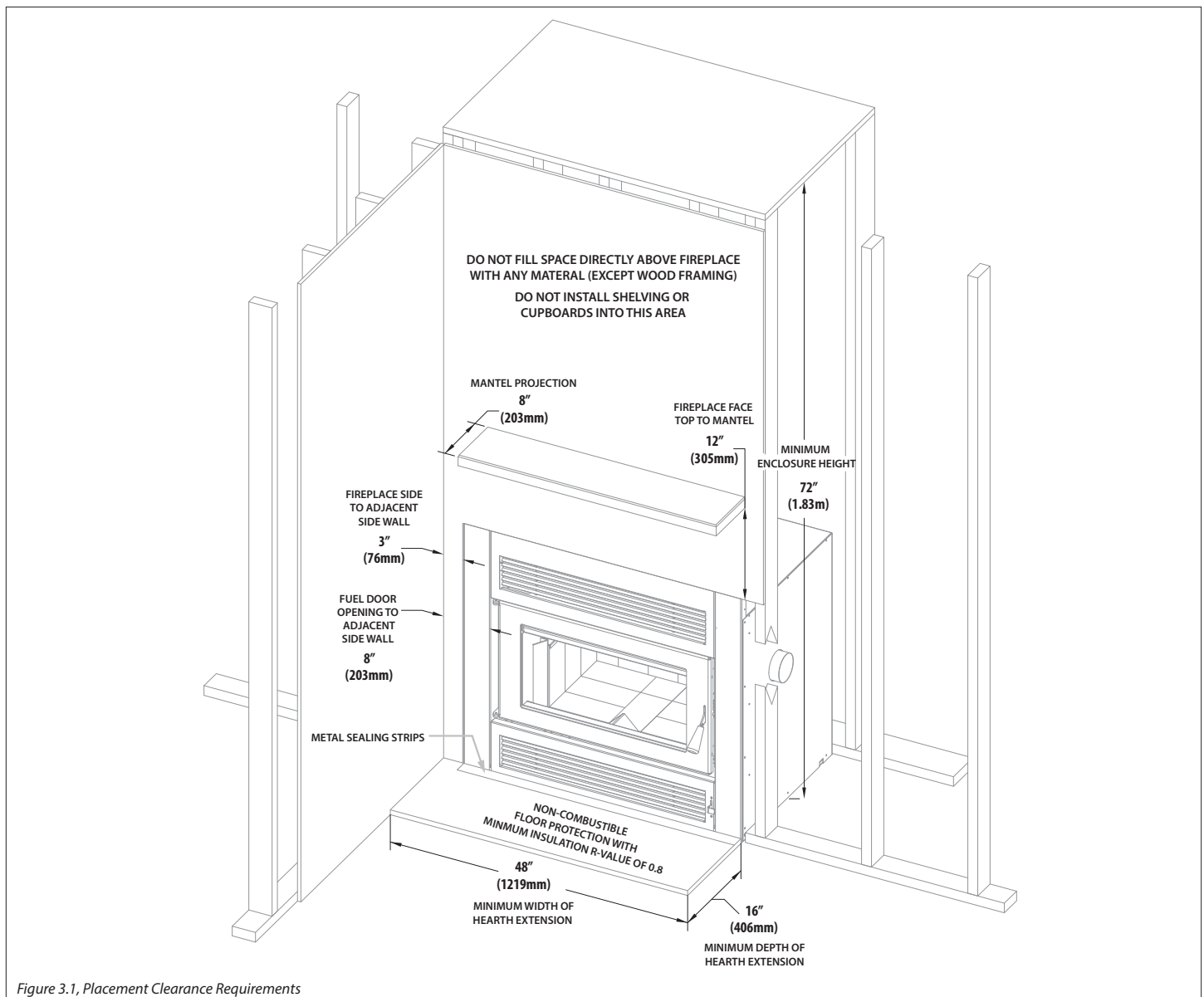


Figure 3.1, Placement Clearance Requirements

3.2 Clearances to Combustibles

NOTE: Even though minimum clearances from back wall and side walls is 0" (0mm), a 1/4" (6mm) expansion space is recommended to allow for heat expansion.

Table 3.1, Minimum Clearances to Combustibles

Table 3.1, Minimum Clearances to Combustibles			
WITHIN ENCLOSURE AREA			
Fireplace to back wall		0"	0mm
Fireplace to sidewalls		0"	0mm
Duct boots to framing		0"	0mm
Top stand-off to header		0"	0mm
Minimum height of fireplace enclosure from the fireplace base		72"	1.83m
EXPOSED AREA			
Wallboard to faceplate top edge and sides		0"	0mm
Fuel door opening to sidewall		8"	203mm
Fireplace face top to 8" (203mm) mantel		12"	305mm
Front of fireplace		36"	914mm
Air duct vent to ceiling		2"	51mm

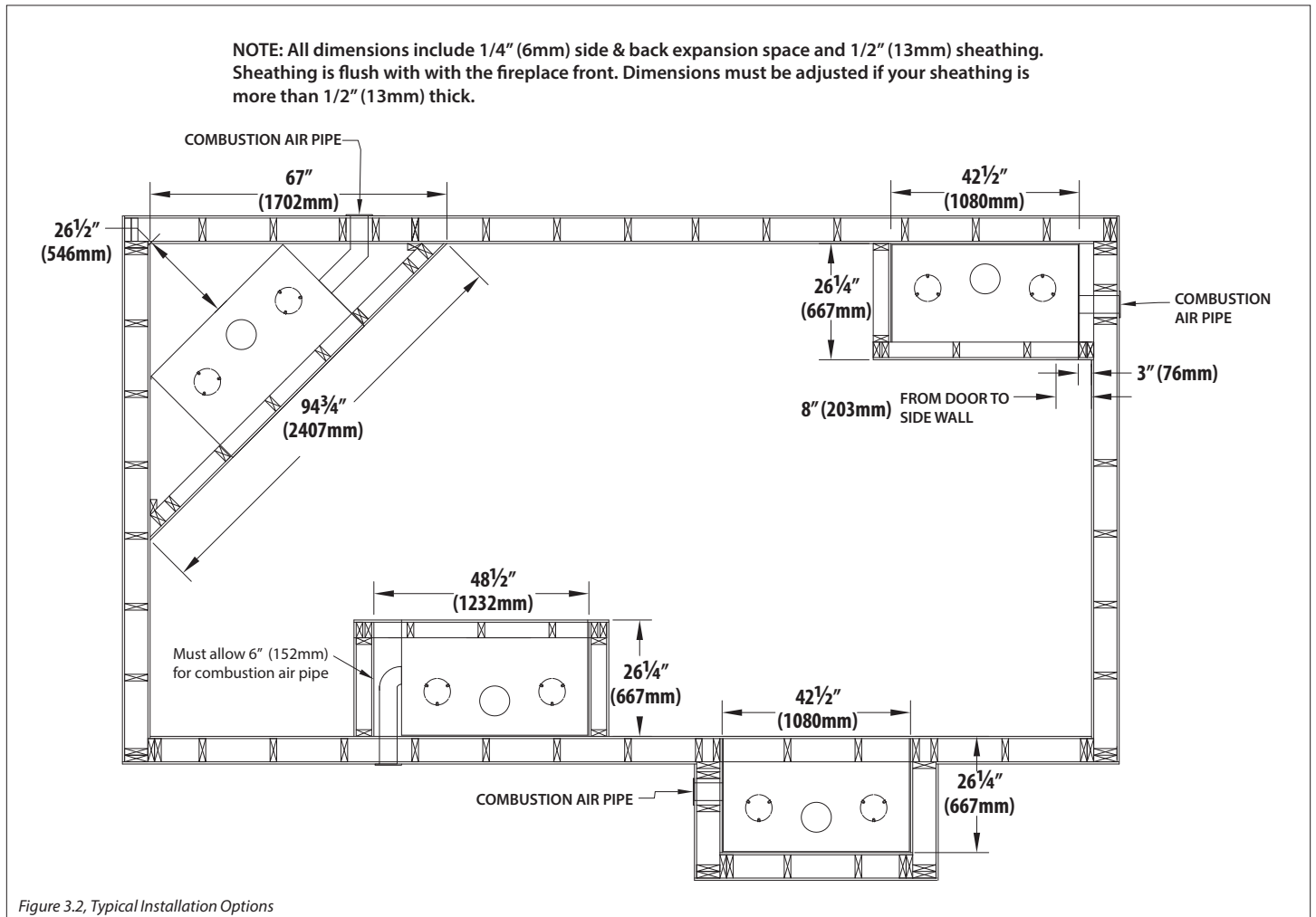


Figure 3.2, Typical Installation Options

3.3 Wall Enclosure Rough Opening

IMPORTANT: If this fireplace is installed on an exterior wall, it must be insulated the same as any other exterior wall to prevent cold air from entering the home.

IMPORTANT: Allow a minimum of 6" (152mm) in framing width dimensions for the combustion air duct pipe, which will be installed after fireplace has been inserted into framing. See Figure 3.2 on page 11.

CAUTION: Consider the height of the hearth extension when framing the opening. The height of a hearth extension material may require the fireplace to be raised on a platform so the hearth extension material does not block the air inlet and outlet grills. If the air inlet or outlet grills are blocked, this may cause the fireplace to overheat.

- Frame the opening to fit fireplace. All required clearances must be maintained.
- Minimum wall enclosure dimensions: 42-1/2" (1080mm) wide x 38-1/4" (792mm) high x 26-1/4" (667mm) deep.
- If masonry (optional) is to be used, prepare the foundation necessary to support the full masonry load. A lintel is required to support the added weight of the masonry construction above the fireplace.

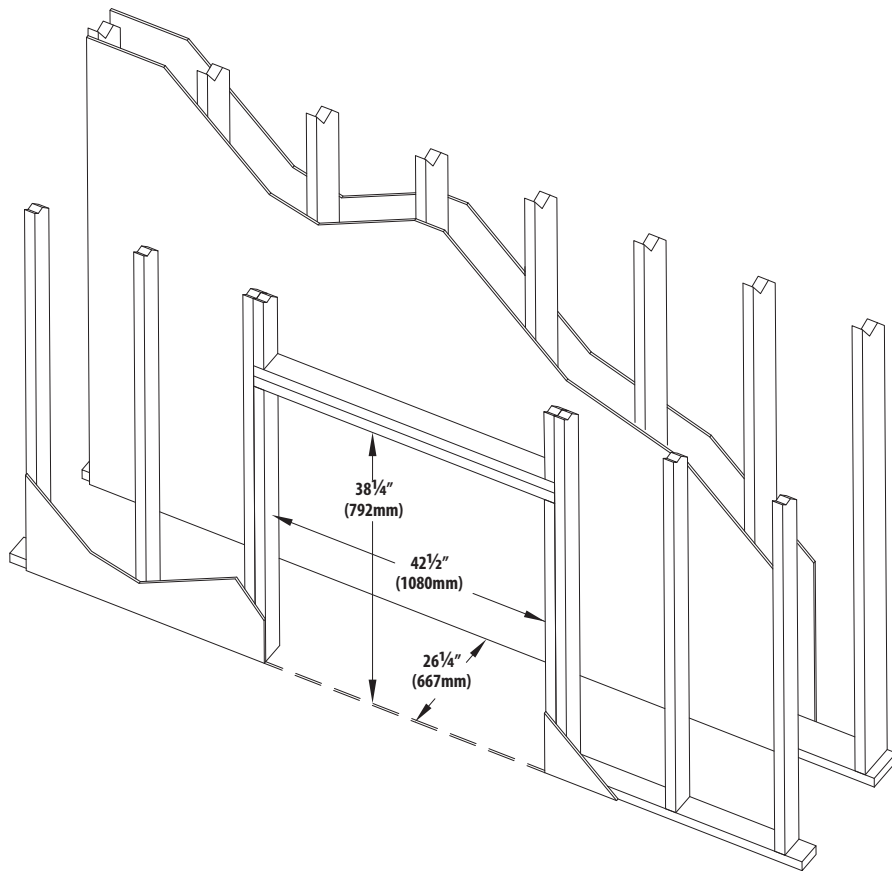


Figure 3.3, Framing Dimensions

3.4 Hearth Extension

WARNING: *Hearth extensions MUST be installed exactly as specified.*

CAUTION: *The lower grill must be allowed to open completely. Do not position fireplace in such a manner that would obstruct this grill.*

IMPORTANT: *Metal sealing strip (included) MUST be installed to provide protection against sparks or embers that might come in contact with combustible flooring or support.*

- Install the sealing strip so it is centered under the fireplace and the hearth extension, for the full width of the fireplace. Ensure that the gap between the hearth and an on-site constructed hearth extension is sealed, with sand-cement grout and/or covered with a metal sealing strip.
- **RAISED AND NON-RAISED HEARTHES:** Combustible flooring 16" (406mm) in front of the fireplace opening and 8" (203mm) beyond each side of the fireplace opening (minimum dimensions of hearth extension) must be insulated with non-combustible floor protection with a minimum insulation R-value of 0.8.

- Manufactured hearth materials have a published **R value (resistance to heat)** or **k value (conductivity of heat)**. Use the following formula to convert a k value to a R value. **$R=1/k \times \text{inches of thickness}$** . See section 3.5 Alternate Floor Protection Material on page 14 for complete formula.
- If installing optional #970 Heat Duct Kit, please refer to instructions included with the kit. Venting for the heat duct kit should be completed before framing the fireplace. See Section section 4.0 #970 Heat Duct Kit on page 18.
- If installing optional #600-1 fan kit, run electrical wiring prior to enclosing the sides of the fireplace. See Section section 5.0 Optional Fan Installation on page 22.

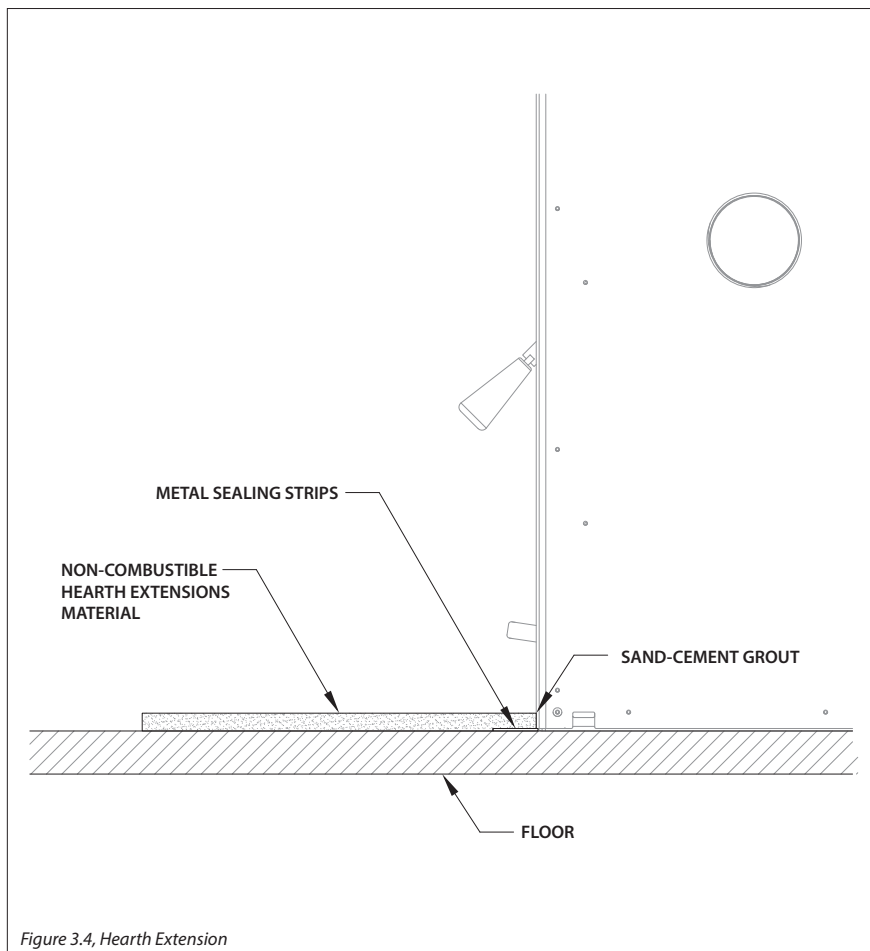


Figure 3.4, Hearth Extension

3.5 Alternate Floor Protection Material

How to determine if alternate floor protection materials are acceptable:

- All floor protection materials must be non-combustible (i.e., metals, brick, stone, mineral fiber boards, etc.).
- Any organic materials (i.e., plastics, wood, paper products, etc.) are combustible and must not be used.
- The floor protection specified may include some form of thermal designation such as R-value (thermal resistance), K-factor (thermal conductivity), or C-factor (thermal conductance).

Procedure:

- A. Convert specification to R-value:
 - I. R-value given: **no conversion needed**
 - II. k-factor is given with a required **thickness (T)** in inches: **R=1/k x T**
 - III. C-factor is given: **R=1/C**
- B. Determine the R-value of proposed alternate floor protector
 - I. Use formula in step 1 to convert values not expressed as 'R'. For multiple layers, add R-values of each layer to determine overall R-value.
- C. If overall R-value of the system is greater than the R-value of specified floor protector, the alternate is acceptable.

EXAMPLE:

The specified floor protector should be 3/4 inch thick material with a k-factor of 0.84.
 The proposed alternate is 4" brick with a C-factor of 1.25 over 1/8" mineral board with a k-factor of .29.

Step (a): Use formula above to convert specification to R-value.

$$R = 1/k \times T = 1/.84 \times .75 = 0.893.$$

Step (b): Calculate R of proposed system.

To determine the R value of 4" brick with C = 1.25;

$$R_{\text{brick}} = 1/C = 1/1.25 = 0.80$$

To determine the R value of the 1/8" mineral board with k = 0.29;

$$R_{\text{mineral board}} = 1/k \times T \text{ (thickness of board)} = 1/.29 \times .125 = .431$$

To determine the Combined R value of brick and mineral board =

$$R_{\text{brick}} + R_{\text{mineral board}} = .8 + .431 = 1.231$$

Step (c): Compare proposed system of R of 1.231 to specified R of .893.

Since proposed system R is greater than required, the system is acceptable.

Definitions:

		IMPERIAL UNITS	=	METRIC UNITS	
Thermal conductance	C=	$\frac{\text{Btu}}{(\text{hr})(\text{ft}^2)(\text{°F})}$	=	$\frac{\text{W}}{(\text{m}^2)(\text{°K})}$	
Thermal conductivity	k=	$\frac{(\text{Btu})(\text{in})}{(\text{hr})(\text{ft}^2)(\text{°F})}$	=	$\frac{\text{W}}{(\text{m})(\text{°K})}$	= $\frac{\text{Btu}}{(\text{hr})(\text{ft})(\text{°F})}$
Thermal resistance	R=	$\frac{(\text{ft}^2)(\text{hr})(\text{°F})}{\text{Btu}}$	=	$\frac{(\text{m}^2)(\text{°K})}{\text{W}}$	

3.6 Combustion Air Duct Pipe

WARNING: Do not use plastic flexible pipe, such as dryer vent pipe, for combustion air duct pipe venting.

WARNING: Do not terminate combustion air duct pipe into attic or garage. Termination must be to the outside of the home.

IMPORTANT: Combustion air duct pipes must be secured with screws to prevent separation and cold air transfer.

NOTE: If the combustion air duct pipe runs for any distance outside the enclosure, but inside the house, wrap with insulation to eliminate condensation or frost build-up. See Figure 3.6

NOTE: If the air intake duct pipe will terminate at the same height or above the air combustion collar on the fireplace, an air trap is recommended. See venting configurations in section Figure 3.7, Combustion Air Duct Venting Configurations on page 16.

This fireplace requires a supply of outside air for combustion. The Z-42 is manufactured with a collar protruding approximately 1/4" (6mm) out from the right side of the fireplace. An outside air duct pipe adapter (4" [102mm] in diameter and 3" [76mm] in length) is included with this fireplace to properly connect the outside air duct pipe to the fireplace.

The combustion air duct pipe termination must be located in an area so it cannot be blocked (i.e., snow drifts). 4' (1219mm) above grade is recommended.

Do not connect outside air adapter until after the fireplace has been inserted into framing.

Installation instructions continue on the next page.

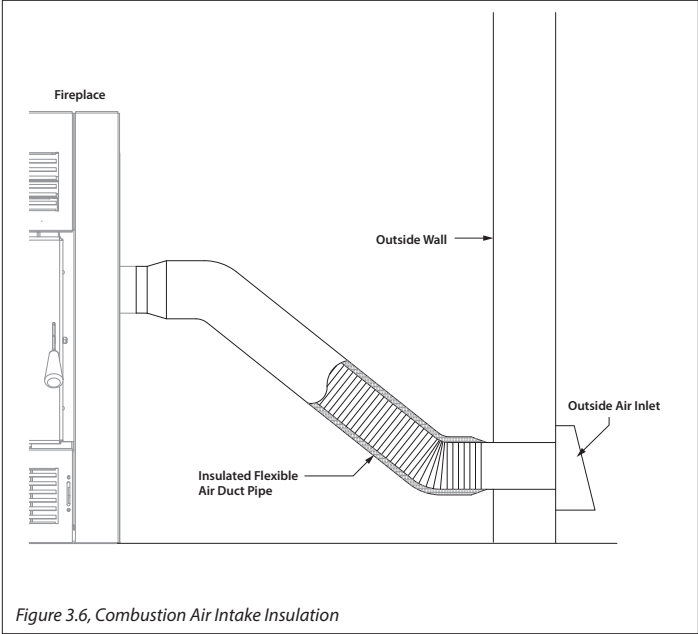


Figure 3.6, Combustion Air Intake Insulation

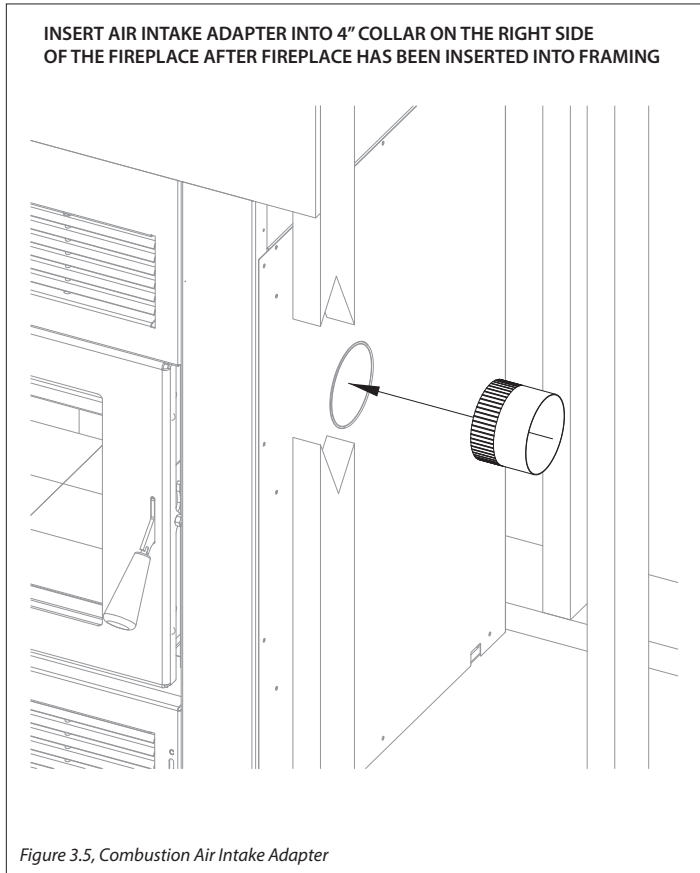


Figure 3.5, Combustion Air Intake Adapter

3.6.1 Combustion Air Intake - Air Trap

- An optional air trap can be used in venting configurations 1 through 3" Figure 3.7 below.
- An air trap is REQUIRED on venting configuration 4 when the combustion air intake is above the air intake collar on the fireplace.

3.6.2 Combustion Air Duct Installation

IMPORTANT: Maximum air duct vent pipe length is 25' (7.6m).

1. Insert combustion air intake adapter into the 4" (102mm) collar on the right side of the fireplace. Secure with screws.
2. Connect a 4" (102mm) galvanized or heavier pipe to the adapter, and run to the nearest outside wall. Secure with screws. See venting configurations below.

3. Aluminum flex duct pipe is approved for outside combustion air, and may also be used. Do not crush or tear aluminum flex duct pipe. Do not use plastic pipe.
4. Use 4" flexible duct pipe for vent runs under 10' (3m). For vent runs longer than 10' (3m), use 5" aluminum flex duct pipe. Place the 4" to 5" adapter as close to the fireplace as possible.
5. If ducting beside the chimney chase, terminate intake air at least 3' (914mm) below the termination level of chimney. The air pipe may also be ducted below floor level of the fireplace, providing it is ducted to the outside.
6. Mount a standard metal vent cover designed for a 4" (102mm) pipe on outside exterior wall, with the louvers pointing downward. Use a 5" metal vent cover if you increased the air duct vent size in Step 4.

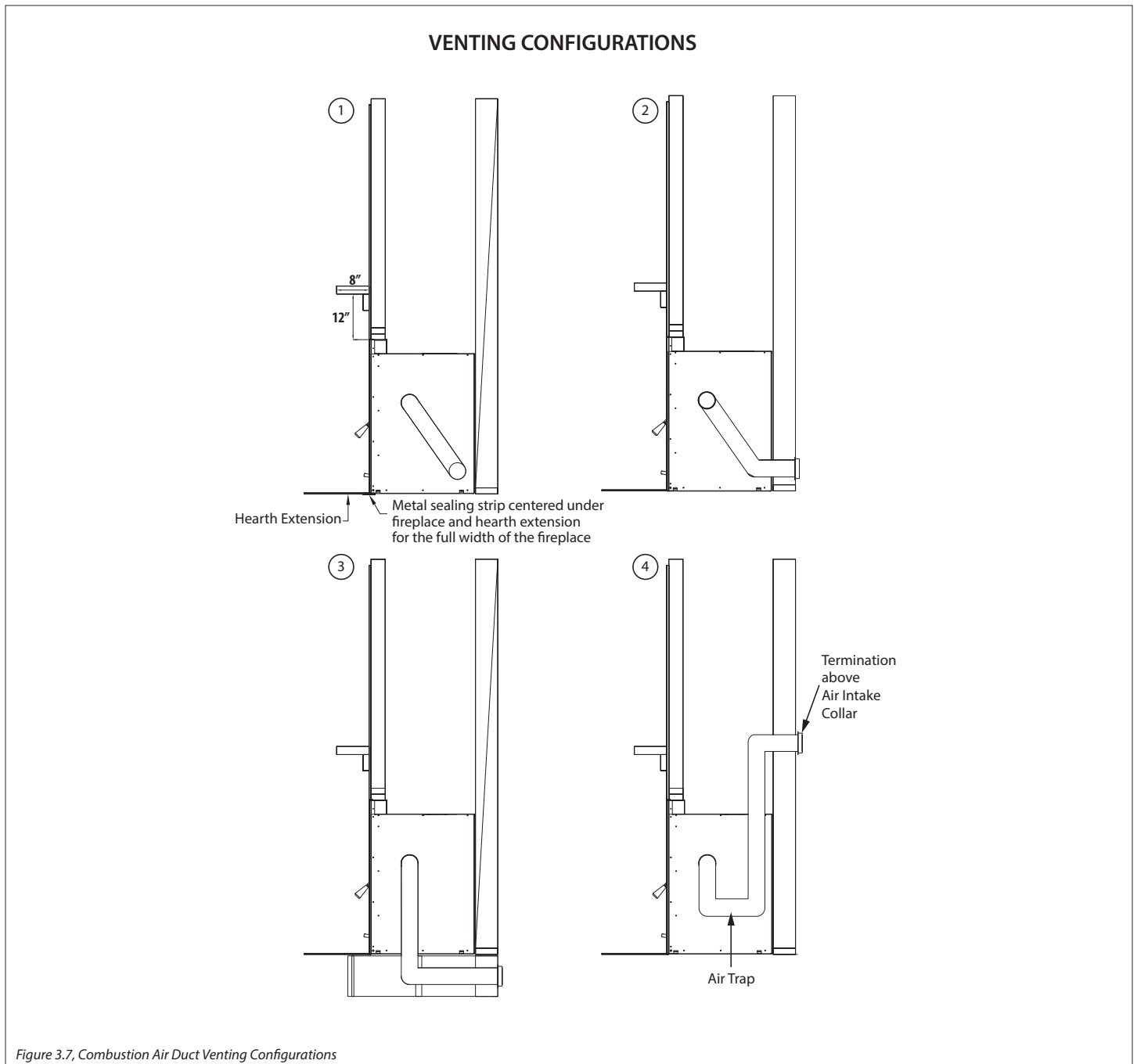


Figure 3.7, Combustion Air Duct Venting Configurations

3.7 Mantel and Facing Requirements

NOTE: Non-combustible material such as brick, tile, marble, or stone may be placed over the top and side face sections. This material **MUST NOT** come in direct contact with fireplace, or cracking of face material will occur.

CAUTION: If using 'thin' brick, non-combustible facing material, such as rock board or metal, must be used. Do not attach directly to fireplace face.

- Facing material should overlap side framing member approximately 1/4" to 3/8" (6mm to 10mm).
- Frame in fireplace. Maintain necessary clearances to combustibles.
- Framing materials should not come in actual contact with the fireplace.
- If installing a mantel (combustible material may be used), follow Figure 3.8 below.

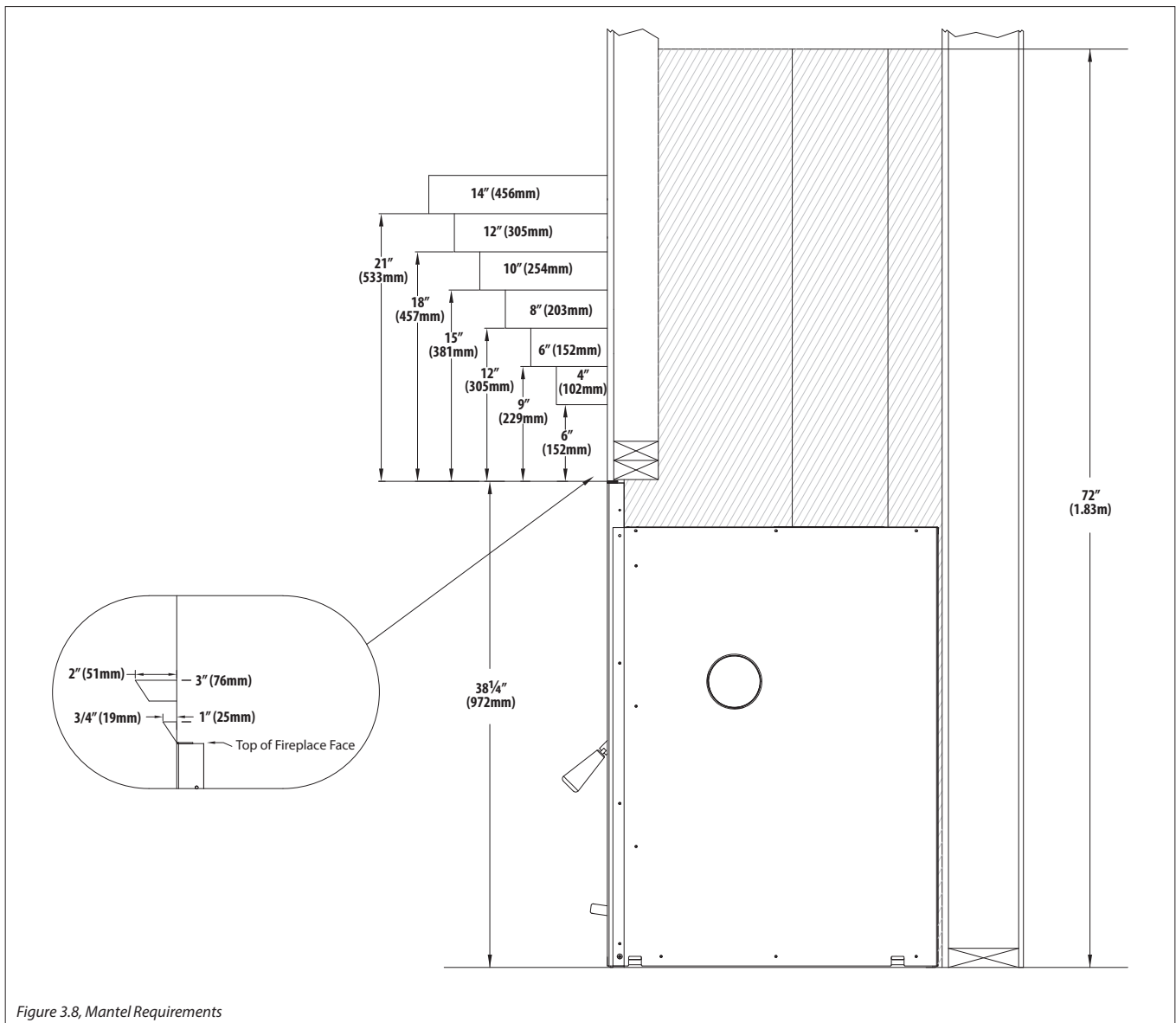


Figure 3.8, Mantel Requirements

4.0 #970 HEAT DUCT KIT

CAUTION : Read and follow instructions carefully prior to and during the installation of the optional heat duct kit.

WARNING: Installation of this heat duct kit and its electrical wiring must be performed by a qualified service person, and must be in accordance with local codes, or in the absence of local codes, with the National Electrical Code, ANSI/NFPA 70, or the Canadian Electrical Code, CSA C22.1.

Do not substitute the flexible heat duct pipe with plastic vent pipe.

4.1 Kit Components

NOTE: A junction box, cover, and hardware must be purchased to mount the speed control.

- (1) 6" (152mm) diameter flexible heat duct pipe, expandable to 20' (6.10m)
- (1) Register mounting frame with collar
- (1) Register cover with screws
- (1) Duct collar
- (1) Fan assembly
- (1) Fan housing cover plate
- (1) Speed control mounting bracket
- (1) Speed control
- (2) Mounting brackets
- (11) Sheet metal screws
- (4) Sheet rock screws
- (3) Flange nuts
- (1) Strapping cord
- (3) Wire nuts
- (2) Fan wire connectors

4.2 Specifications

- The appliance is manufactured with (2) heat duct knock-outs. One, or both, may be utilized.
- The register mounting frame is designed to fit between 2" x 4" stud walls, 16" (406mm) on center.
- An oval duct pipe (equivalent to 6" [152mm] round) can be used in conjunction with the included 6" (152mm) diameter flexible heat duct pipe, included with this kit. It must be purchased from a HVAC supplier.
- Carefully plan location of duct pipe runs and register in relation to fireplace.

Table 4.1, Heat Duct Clearances		
From flexible duct to combustibles	0"	0mm
From air duct to ceiling	2"	51mm

Table 4.2, Heat Duct Vent Runs				
Vent Run	Minimum		Maximum	
Any direction, including downward	2'	609mm	20'	6.1mm

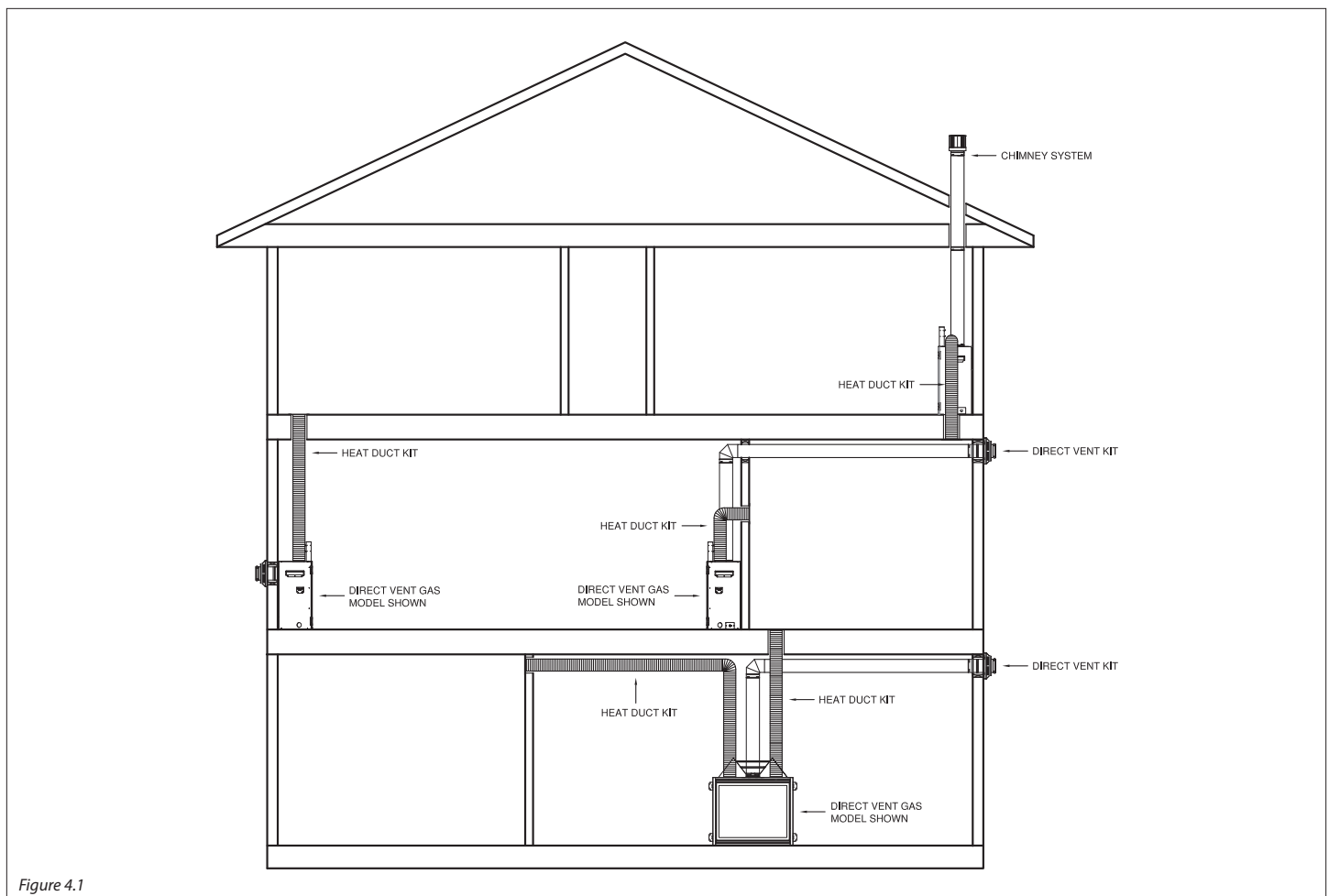


Figure 4.1

4.3 Prepare the Fireplace

Your fireplace may look different than the one shown.

1. Remove (1) or both 6" diameter knock-out(s) located at the top of the fireplace.
2. Bend the (3) tabs up and out far enough to allow for the duct collar and duct pipe installation.
3. For each 6" knock-out removed in Step 1, remove the knock-out located directly below the previously removed knock-out.
4. Remove the third knock-out directly below the one(s) removed in Step 3.
5. Slide the duct collar, with the circulation holes facing downward, into the 6" knock-out until it rests on top of the heat shield.



Figure 4.2, Knock-out Removal

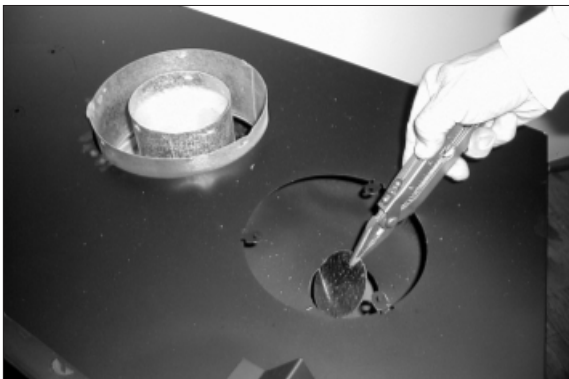


Figure 4.3, Second Knock-out Removal

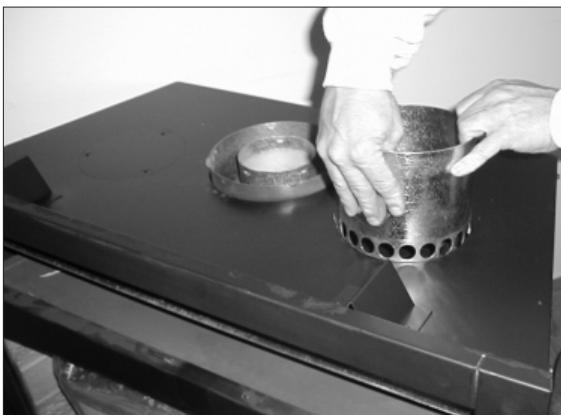


Figure 4.4, Duct Collar into Knockout

4.4 Attach Heat Duct Pipe to Fireplace

1. Slide the 6" duct pipe(s) over the collar(s) until resting on top of the fireplace.
2. Bend the tabs up and over the duct pipe. Using the included screws, secure the flexible pipe to the duct collar. Verify screws penetrate both the flexible pipe and the duct collar.
3. Position the fireplace in the desired location.

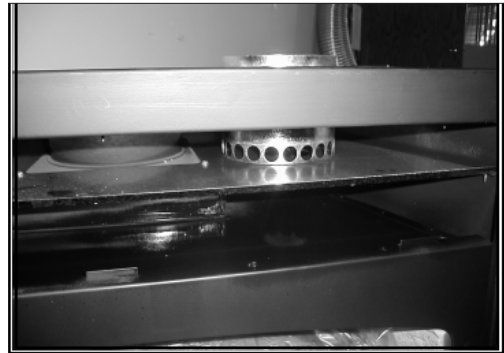


Figure 4.5, Duct Collar on top of Heat Shield

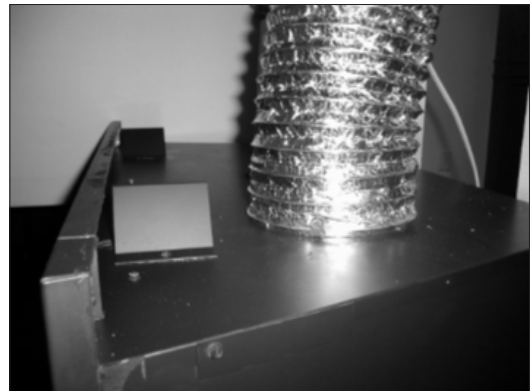
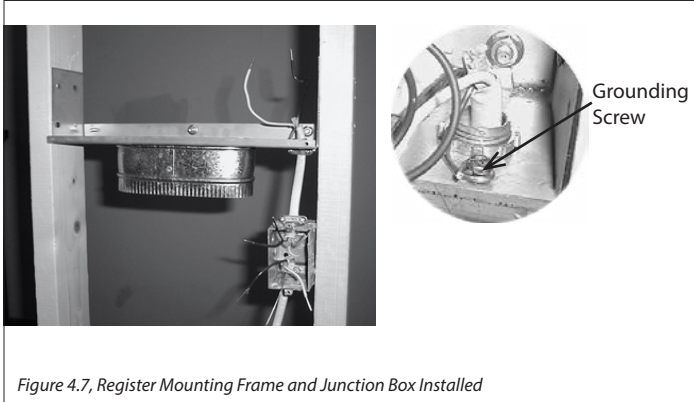


Figure 4.6, Duct Pipe Secured to Collar

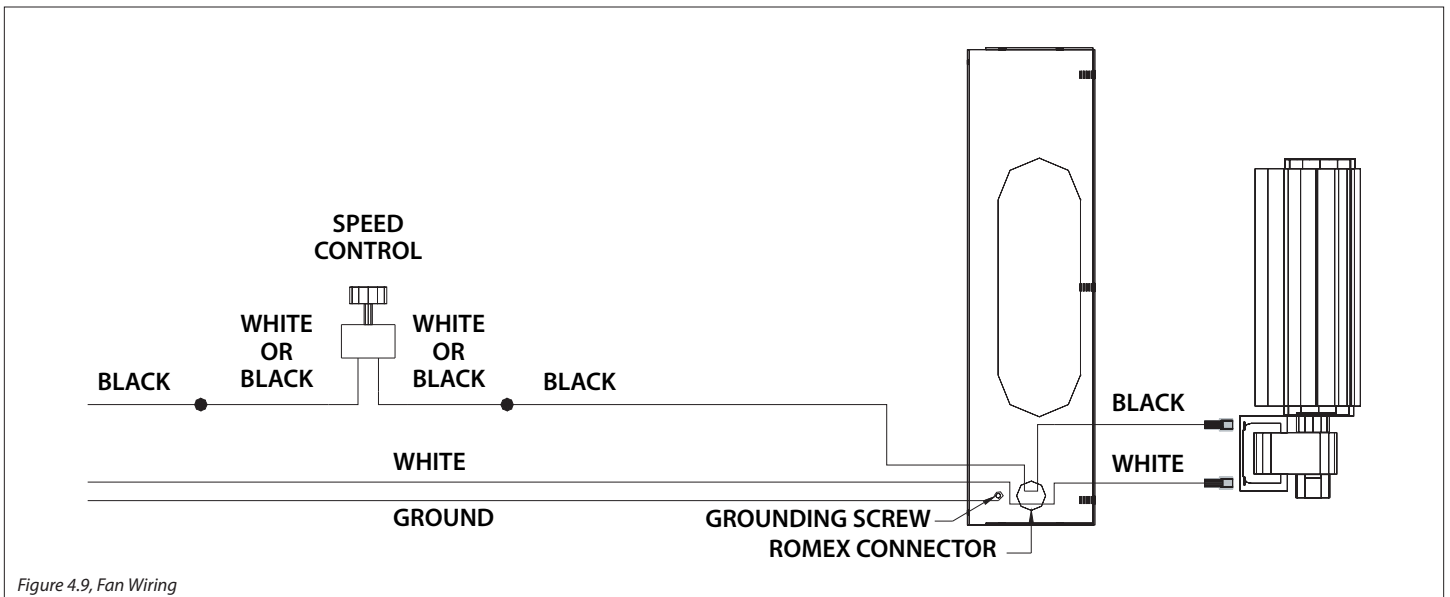
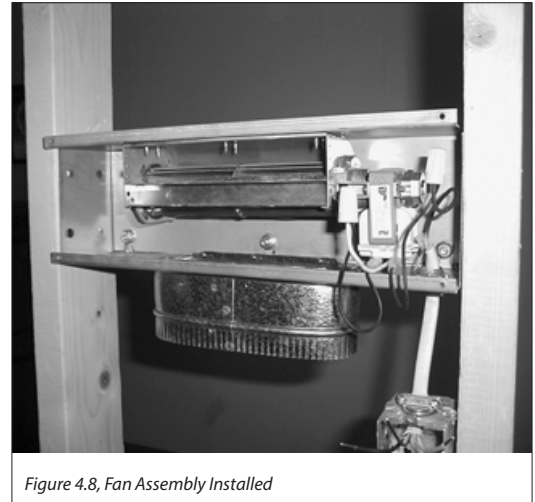
4.5 Install Register Mounting Frame and Junction Box

1. The register mounting frame and the fan housing are designed to fit between 2" x 4" stud walls, 16" (406mm) on center. Additional framing is required if larger opening exists.
2. Locate and mark the position of the register.
3. Insert the register mounting bracket into the 16" (406mm) opening.
4. Level and adjust the mounting bracket. The sides of the bracket should be flush with the front of the framing studs, and the front of the bracket should protrude ½ in from the studs to allow for ½" sheetrock installation.
5. Secure the mounting bracket to framing with the provided (4) sheetrock screws.
6. Install the junction box on the wall at desired location. The junction box is used to house the speed control assembly, which controls fan speed and operation.



4.6 Install and Wire Fan Assembly

1. Attach, but do not tighten, flange nuts to the mounting studs on the back of the register mounting bracket.
2. Align (3) slots on the fan assembly to studs, then slide the fan into position. Tighten the flange nuts to secure.
3. Slide the included fan wire connectors into the fan terminals.
4. Properly wire the 110 VAC wire to the hot and neutral fan wires, and the speed control wires, with provided wire nuts.
5. Run 110 VAC to fan speed control, then from the fan speed control through the romex connector (on the register bracket).
6. Secure grounding wire to the grounding screw installed in register mounting bracket. **Fan must be properly grounded.**



4.7 Run and Secure Duct Pipe

4.7.1 Oval Duct Pipe

1. Run the oval and round duct pipe to the register location.
2. Shape the 6" (152mm) round duct pipe to fit outside the oval duct pipe. Secure with the screws provided.
3. Slide the oval duct pipe over the oval collar on the register mounting bracket. Secure with the sheet metal screws provided.
4. OPTIONAL: Secure duct pipe with any additional screws provided.

4.7.2 Round Duct Pipe

1. Run the round duct pipe to the register location.
2. Shape the 6" (152mm) round duct pipe so it will fit outside the oval collar on the register mounting bracket.
3. Slide the round duct pipe until it touches the register mounting bracket.
4. Position the locking strap around the 6" (152mm) duct pipe, above the crimped metal.
5. Pull the locking strap tight enough to firmly secure the duct pipe.



Figure 4.10, Secured Duct Pipe

4.8 Complete the Installation

1. Install sheetrock or wall finish material as desired before attaching the register cover and fan housing cover plate.
2. Position the cut-out portion of the fan housing cover plate over the fan chute to allow air flow. Align the holes in the fan housing cover plate to the corresponding holes in the register mounting plate and fan assembly. Secure with (4) screws provided.
3. Slide the speed control through the mounting bracket. Secure with the mounting nut.
4. Secure mounting bracket to the junction box with the (2) screws provided.
5. Center the register cover over the fan housing cover plate to install. Secure register cover to stud wall with the provided mounting screws.
6. Attach a cover plate (not provided), then install the control knob for the speed control.
7. Complete the fireplace installation by following the instructions included with the fireplace.



Figure 4.11, Completed Installation

4.9 Operating Instructions

1. After complete fireplace installation and subsequent initial burn period, turn the fireplace burner ON by following the lighting instructions included with the fireplace.
2. Allow the fireplace to produce heat for approximately 15 minutes.
3. To operate the heat duct fan, turn the wall-mounted speed control clockwise until it stops. The fan should turn on and be operating at its highest speed. Adjust the speed to desired air flow level by turning the speed control knob counter-clockwise until it 'clicks' off.

4.10 Maintenance

- The duct register must be kept clear and unobstructed. Clean and vacuum as necessary to remove dust, lint, etc. from fan which will inhibit air flow.
- Detach the register cover and the fan housing cover plate at least once a year to remove dust, lint, etc. from the fan. More frequent cleaning may be necessary.
- The fireplace must be maintained and serviced as outlined in the unit installation and operating instructions.

5.0 OPTIONAL FAN INSTALLATION

5.1 #600-1 Optional Fan Kit

ATTENTION: Installation of this fan kit should be done only by a qualified installer.

WARNING: Verify household breaker is shut off prior to working on any electrical lines. Disconnect all electric power from fireplace before performing any of these tasks.

WARNING - Electrical Grounding Instructions: This appliance is equipped with a three-prong (grounding) plug for your protection against shock hazard and should be plugged directly into a properly grounded three-prong receptacle. Do not cut or remove the grounding prong from this plug.

Code approved line voltage wiring 14 gauge or better must be used when wiring the optional #600-1 fan kit assembly. Refer to local codes for specific requirements.

This optional fan kit includes:

- (2) 110 CFM fan with temperature control switch and 4ft (1.22m) fan cord
- (4) 1/4" nuts

5.1.1 Fan Shield Installation

(2) fan shields are included in fireplace components packet. These shields divert more air circulating through the fans upward, increasing the volume exiting through the upper grill.

1. Slide one corner of a fan shield onto the front chute on each fan, making sure the 'V' portion of the shield is inside the chute.
2. Slide fan shield down onto the chute.

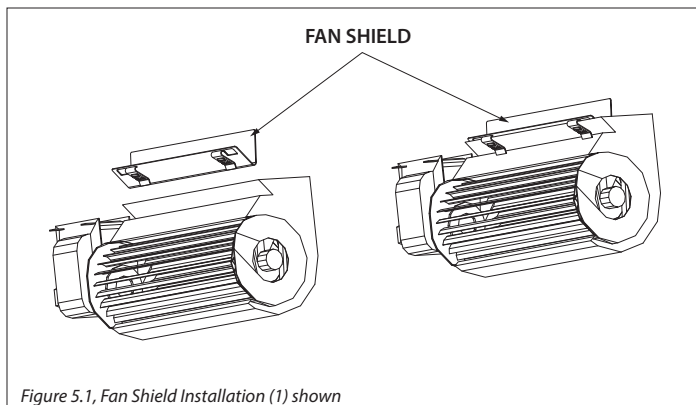


Figure 5.1, Fan Shield Installation (1) shown

5.1.2 Fan Kit Installation

Fan wiring is on the next page.

1. The lower grill must be removed from the fireplace prior to installation of this fan. Refer to Section 7.2 Grill Set Installation and Removal on page 29.
2. Insert fans through lower grill opening, push to back. Align mounting slots in fan brackets onto mounting studs. Secure with nuts.
3. Connect fan wiring by attaching connectors on right fan onto terminals on left fan.
4. From inside lower right grill opening, loosen screws securing removable access panel (with electrical box & romex connector installed). Remove panel.
5. Insert 110V - 120V wiring (with ground) through romex connector and wire to the speed control / receptacle assembly, matching black (hot), white (neutral), and green (ground) wires

to corresponding wires on speed control / receptacle assembly.

6. Secure speed control / receptacle assembly to the electrical box with (2) screws provided.
7. Re-install electrical access panel. Tighten screws.
8. Attach temperature control switch to bottom of firebox.
9. Plug cord into electrical box receptacle.
10. Turn speed control counter-clockwise until it 'clicks'. This is the OFF position.
11. Turn speed control ON by turning knob clockwise past the 'click' - this is the highest setting.
12. Re-install lower grill. Refer to Section 7.2 Grill Set Installation and Removal on page 29.

5.1.2.1 Temperature Control Switch Position

Before adjusting temperature control switch, unplug 3-prong plug on fan cord from receptacle. Adjust position of temperature control switch to a warmer location under firebox to turn fan ON sooner or move it to a cooler location under firebox to turn fan ON later. Fan will turn on when sensor in temperature control switch reaches 110° F and will turn OFF when sensor reaches 90° F. After adjustment, plug 3-prong plug on fan cord into receptacle.

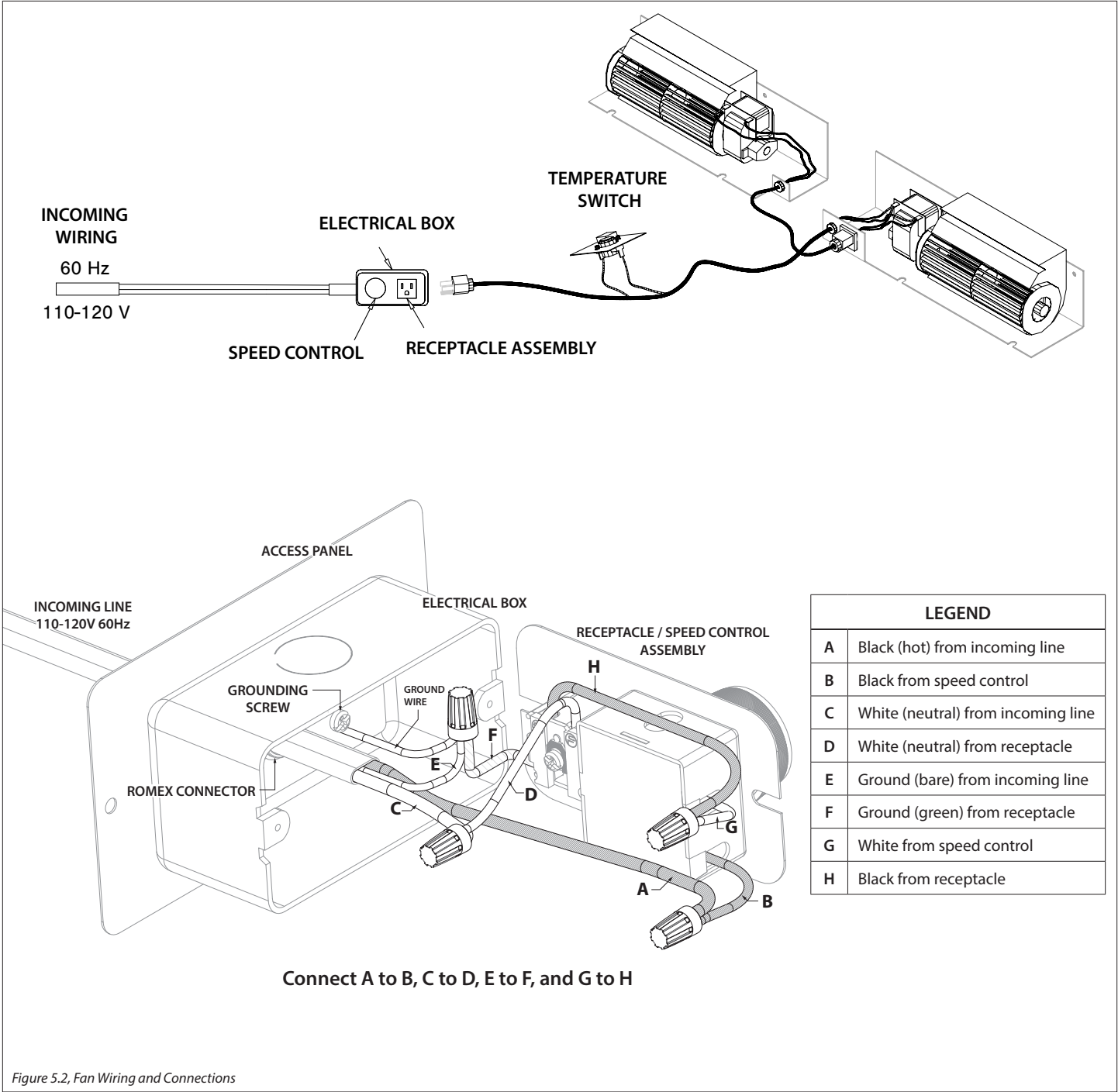


Figure 5.2, Fan Wiring and Connections

6.0 INSTALLATION

6.1 Chimney Requirements

IMPORTANT: Do not connect this fireplace to a chimney flue serving another appliance.

- Minimum Chimney Height: 12' (3.66m)
- Maximum Chimney Height: 50' (15.24m)
- Elbows: A maximum of (4) 30° elbows may be used (2 sets offsets)
- Maximum Offset: 4' (1219mm)
 - If (2) 30° elbows are used, chimney height must be a minimum of 14' (4.27 m).
 - If (4) 30° elbows are used, chimney height must be a minimum of 25' (7.62m)

6.2 Approved Chimney Systems

CAUTION: DO NOT fill required clearances between chimney and combustible with insulation.

This fireplace must be connected to a listed UL 103 HT insulated 6" diameter chimney and/or CAN/ULC S629 of any vent manufacturer. The following vent manufacturers listed are, but not limited to, approved UL103-HT vent pipe.

- **Selkirk:** UltimateONE, SuperVent (JSC), Ultra-Temp HT, Galva-Temp HT, Sure-Temp
- **Simpson Dura-Vent:** Dura-Plus, Dura-Tech,
- **AmeriVent:** AmeriVent TLC, HS
- **ICC:** Excel

Follow chimney manufacturer's instructions for proper chimney installation, clearances to combustibles, and support bracket requirements.

The entire chimney system must be installed to meet all local requirements, as well as chimney manufacturer requirements.

Follow the chimney manufacturer's instructions for the installation and maintenance of a flashing/storm collar assembly (this prevents water from entering the house at the roof line).

6.3 Anchor Plate Installation

IMPORTANT: The appropriate anchor plate must be purchased with the chosen chimney system. Sealant and screws for attaching the anchor plate to the fireplace are included with this unit.

IMPORTANT: The anchor plate must fit into flue collar on fireplace to prevent creosote leakage.

1. Place a bead of sealant under the chimney anchor plate.
2. Push plate collar into fireplace flue. Secure with (4) screws.

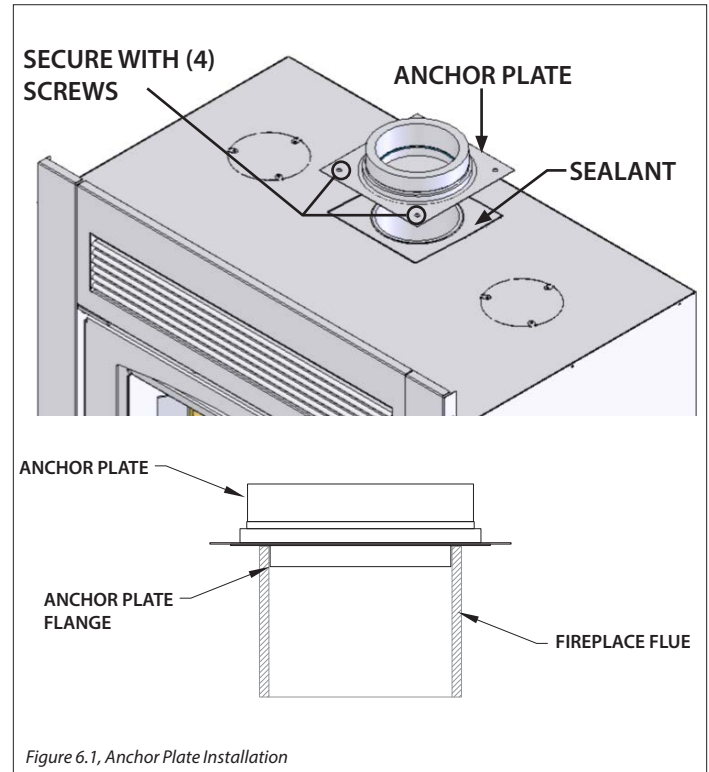


Figure 6.1, Anchor Plate Installation

6.5 Chimney Installation

WARNING: Refer to chimney manufacturer's instructions for proper framing size, clearance to combustibles, and support bracket requirements.

WARNING: The clearance between the chimney and combustible should never be less than 2" (51mm). DO NOT fill this required air space with insulation or other materials.

1. After anchor plate installation, connect first chimney section per manufacturer's installation instructions.
2. Cut and frame required holes in floor, ceiling, and roof where chimney will pass through. See Figure 6.4 on page 27.
3. A firestop must be installed where chimney passes through each floor level. Refer to chimney manufacturer's instructions for part numbers and installation procedures.
4. An attic insulation shield is required by chimney manufacturers for protection where the chimney passes into attic space. This will prevent debris and insulation from coming into contact with the chimney. Refer to chimney manufacturer requirements.

5. Install chimney sections, firestops, attic insulation shields, etc., following chimney manufacturer's instructions and requirements, as well as chimney minimum / maximum height requirements as outlined in this installation manual. See Figure 6.5 on page 27 for combustible chase enclosure for chimney sections installed above the roof.
6. Apply the orange label included in components packet with repeated "WARNING: HOT. Fire Risk. Insulation and combustible must not touch pipe. Consult manual for clearance requirements. Ensure proper protection." to all chimney pipe sections. It is not required on sections that will be visible after the installation is complete. The label must wrap around the chimney circumference.
7. Install flashing, storm collar and chimney cap following chimney manufacturer's instructions.
8. Refer to chimney manufacturer's requirements concerning supports, bracing, anchors, etc.

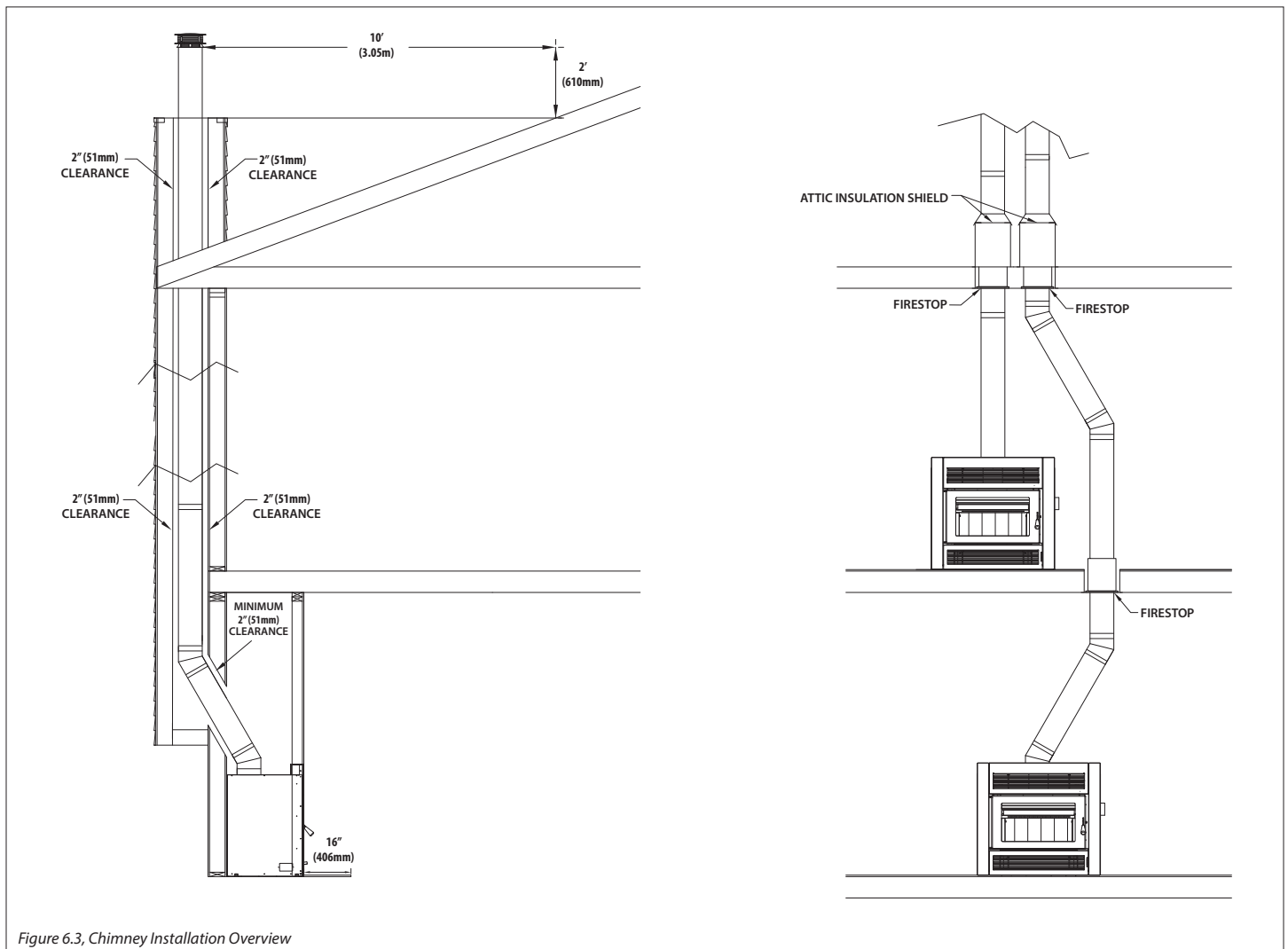
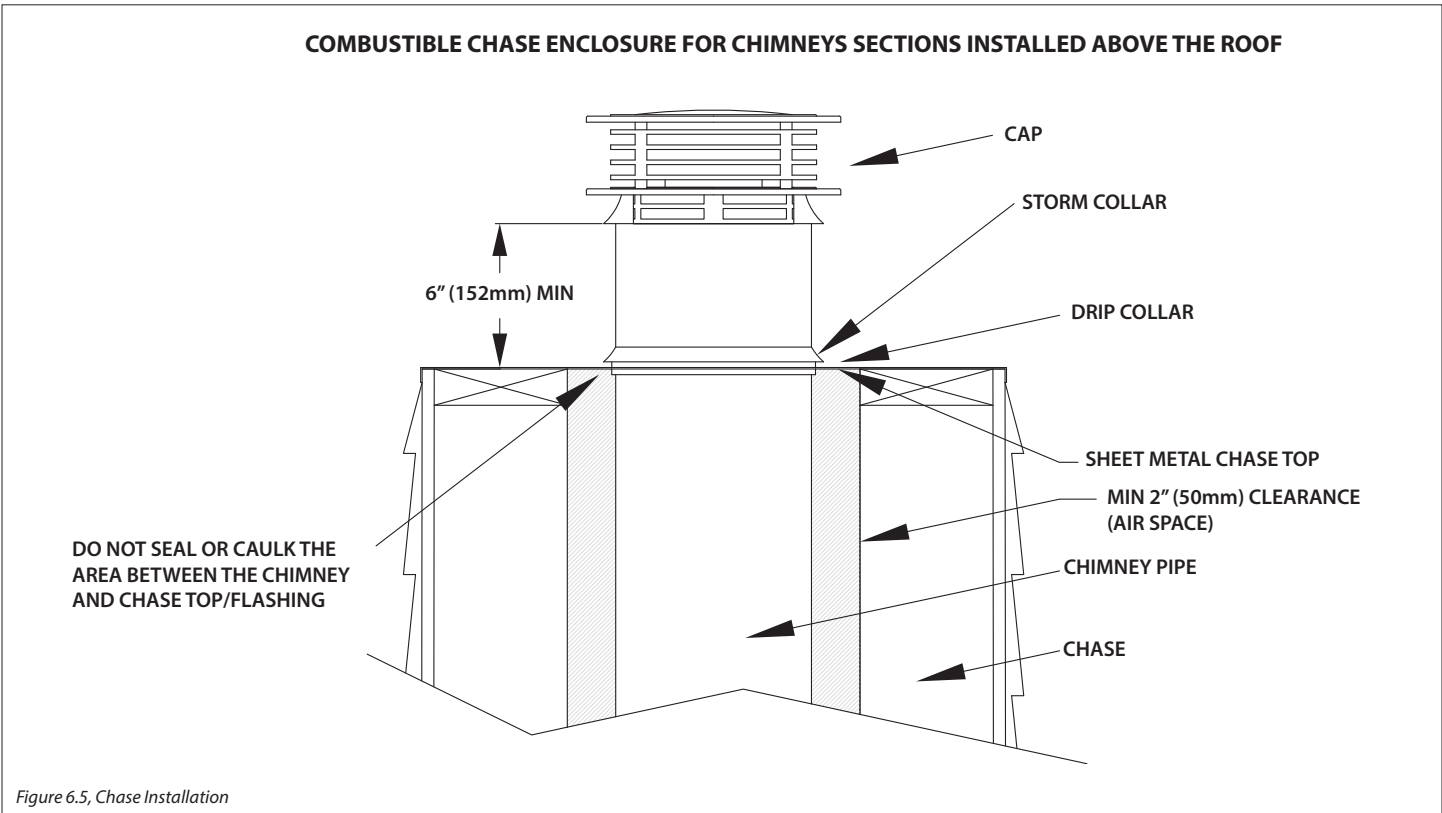
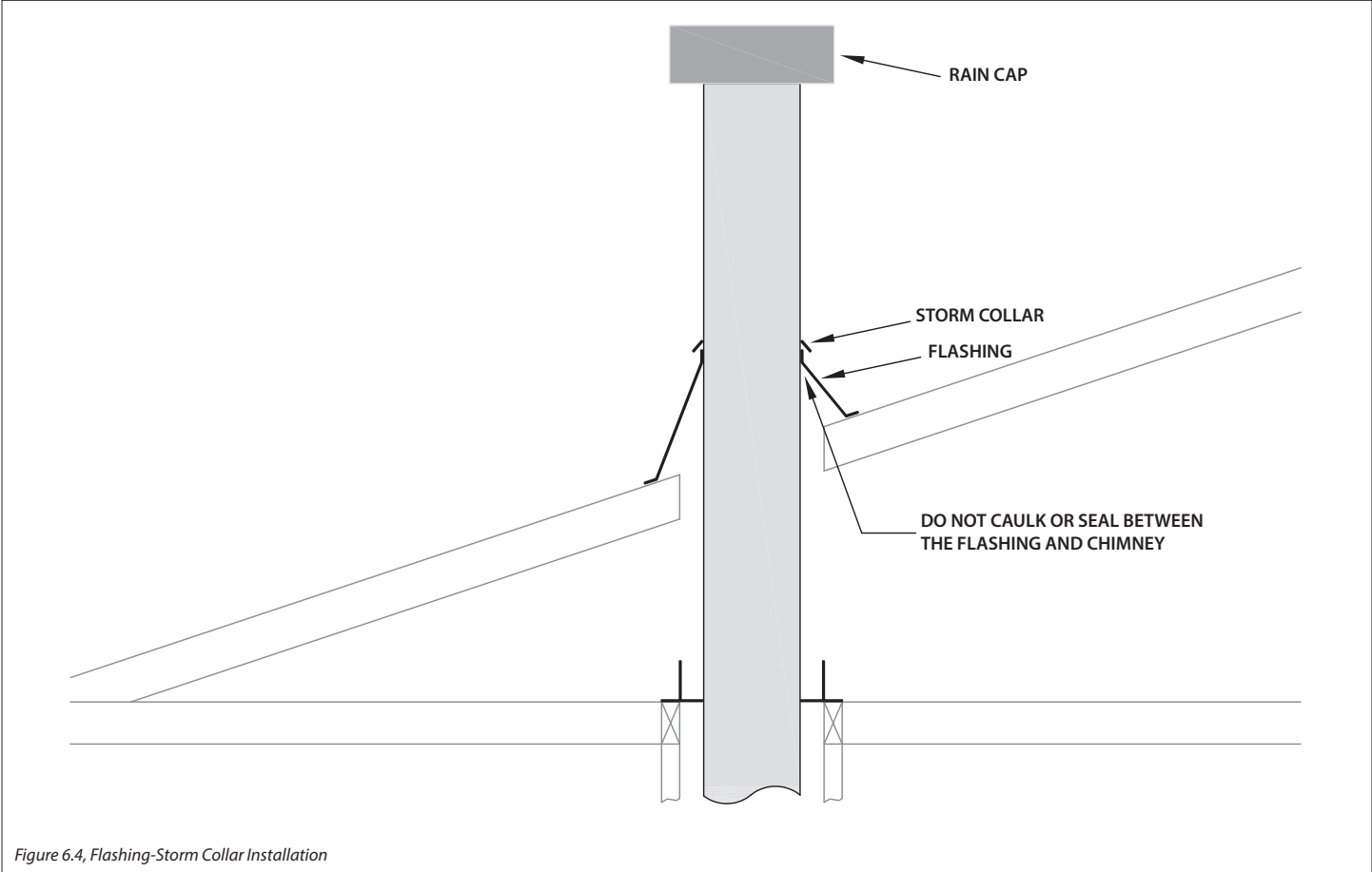


Figure 6.3, Chimney Installation Overview



7.0 FIREPLACE SETUP

7.1 Firebrick Installation

The firebrick refractory panel is located on top of the pipes. DO NOT DISCARD.

Measure the firebrick to follow along with these instructions.

The following firebrick are included with this fireplace:

- (7) 4-1/2" x 9" (114mm x 229mm)
- (6) 4-1/2" x 10-3/4" (114mm x 273mm)
- (1) 4-1/2" x 4-1/2" (114mm x 114mm)
- (10) 4-1/2" x 13-1/2" (114mm x 343mm)
- (2) 2-1/2" x 13-1/2" (64mm x 343mm)
- (1) Firebrick Retainer

1. Position (5) 4-1/2" x 13-1/2" (114mm x 343mm) fire bricks and (1) 2-1/2" x 13-1/2" (64mm x 343mm) firebrick along back wall of firebox.

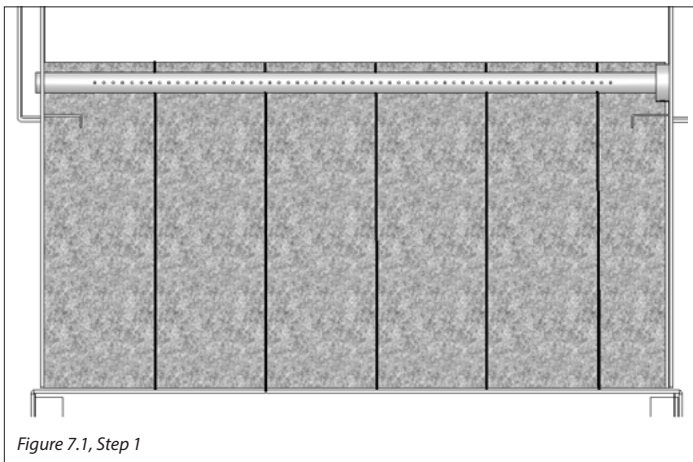


Figure 7.1, Step 1

2. Starting at back, position (3) 4-1/2" x 10-3/4" (114mm x 273mm) firebricks under firebrick brackets along each side of firebox.

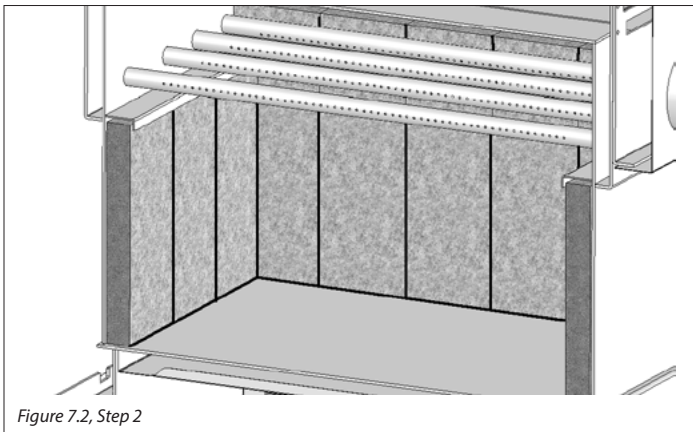


Figure 7.2, Step 2

3. Place (7) 4-1/2" x 9" (114mm x 229mm) firebricks and (1) 4-1/2" x 4-1/2" (114mm x 114mm) firebrick on firebox bottom (at the center back).
4. Lay (5) 4-1/2" x 13-1/2" (114mm x 343mm) fire bricks and (1) 2-1/2" x 13-1/2" (64mm x 343mm) firebrick over the firebrick refractory panel that rests on (4) stainless steel pipes at top of firebox.
5. With the 45° flange down, slide firebrick retainer between the top of the first pipe & firebrick. Push retainer back until it is against the front of firebrick and under the refractory panel.

6. Set retainer down on top of pipe. The 45° flange on the firebrick retainer should now be behind the first pipe.

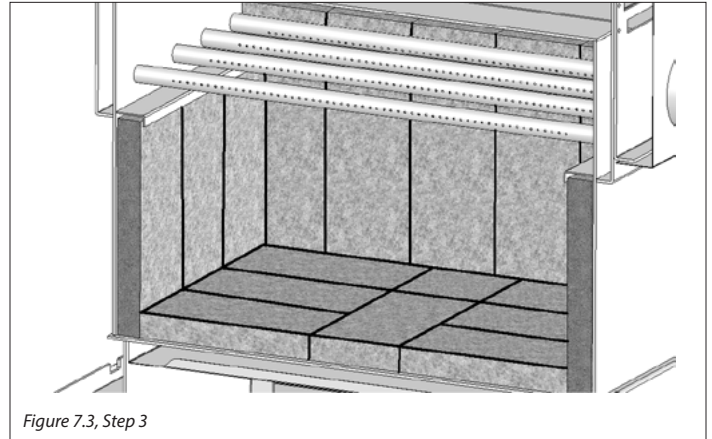


Figure 7.3, Step 3

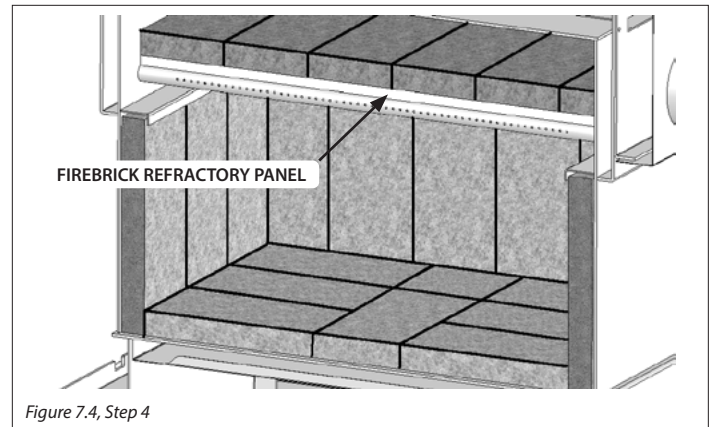


Figure 7.4, Step 4

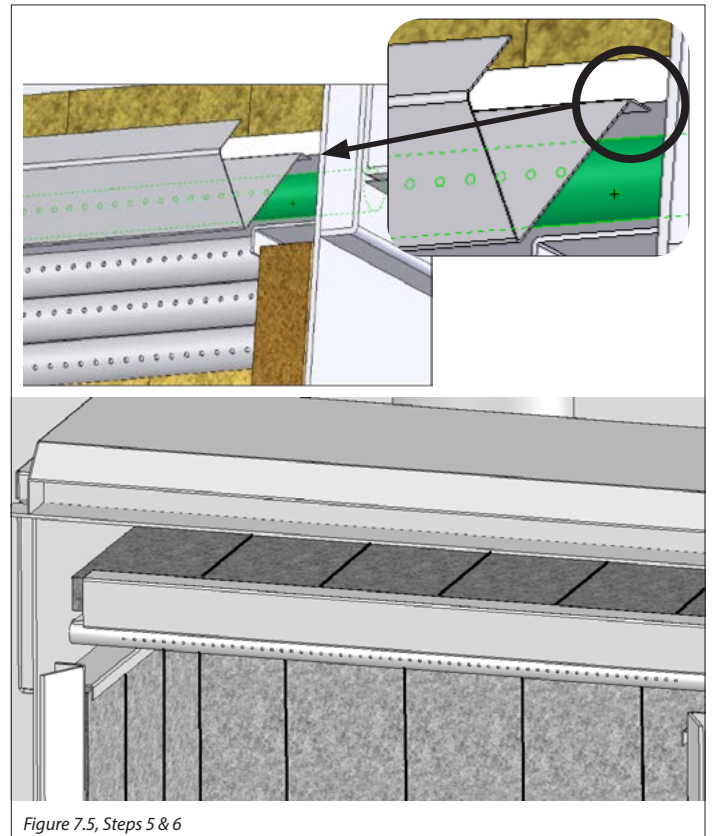


Figure 7.5, Steps 5 & 6

7.2 Grill Set Installation and Removal

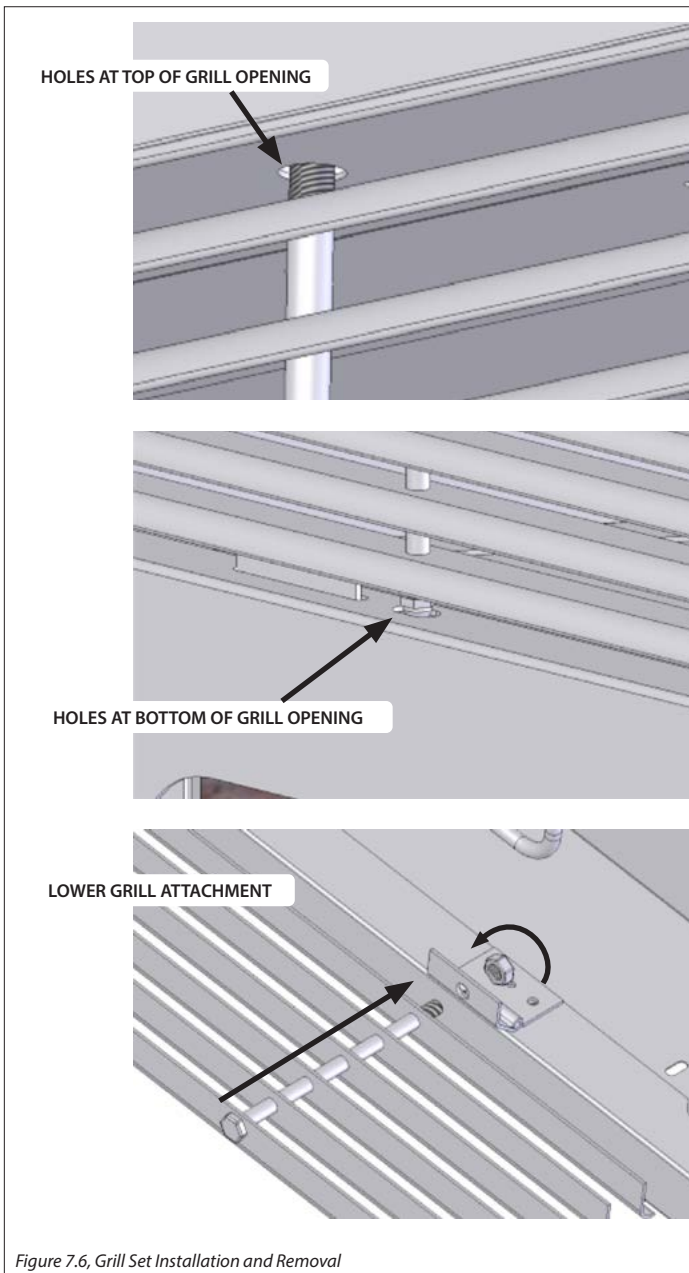
Sold separately.

7.2.1 Installation

1. Align the rods in the upper grill with the holes at the top of the upper grill opening. Push the upper grill up until bottom clears the face frame. Set down into holes at bottom of the upper grill opening.
2. Remove the nuts from lower grill assembly and save. Align the bolts with the lower grill hinge and insert bolt through the lower grill hinges. Secure with nuts previously removed

7.2.2 Removal

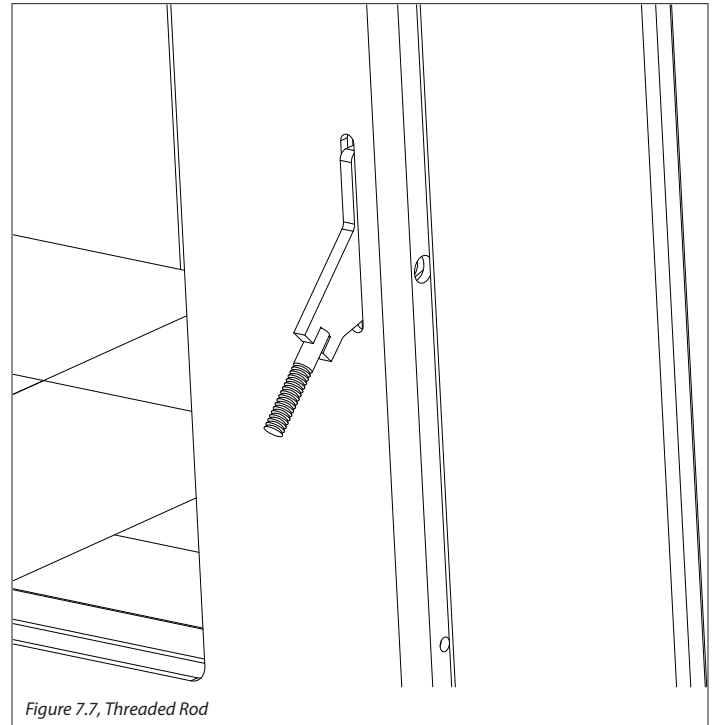
1. Lift upper grill up and out of opening.
2. Remove nuts securing the lower grill to the lower grill hinges. Remove the grill, and reattach nuts to the grill bolts.



7.3 Door Handle Installation

SINGLE DOOR : There is a threaded handle in the components packet. Install on threaded rod as shown in Figure 7.7 by turning the handle clockwise until it is hand-tight.

CAST IRON DOOR: These are factory installed.



7.4 Door Seal Alignment and Adjustment

NOTICE TO INSTALLER AND HOMEOWNER: Achieving proper seal and door alignment is a trial and error adjustment. You may need to make additional minor adjustments after the first few initial burn periods. Deposits which collect on glass corner (s) while fireplace is in operation indicates an improper seal, indicating door should be adjusted as instructed below.

Every effort has been made at the factory to ensure a proper door seal prior to shipment. Misalignment, however, may still occur during shipment, installation, or mishandling.

The following procedures will help you determine if the door is sealing properly, and how to achieve a proper seal.

7.4.1 Single Door Model

7.4.1.1 Check the Seal

1. Close and latch door.
2. Check seal by pushing against corners of glass.
 - No movement indicates proper seal.
 - Any movement between the glass and firebox face at any corner indicates an inadequate seal. This will create creosote build-up on glass and cause the fire to burn faster.

7.4.1.2 Hinge Adjustment

IMPORTANT: Do not loosen nuts securing door hinges at the top and bottom of the door.

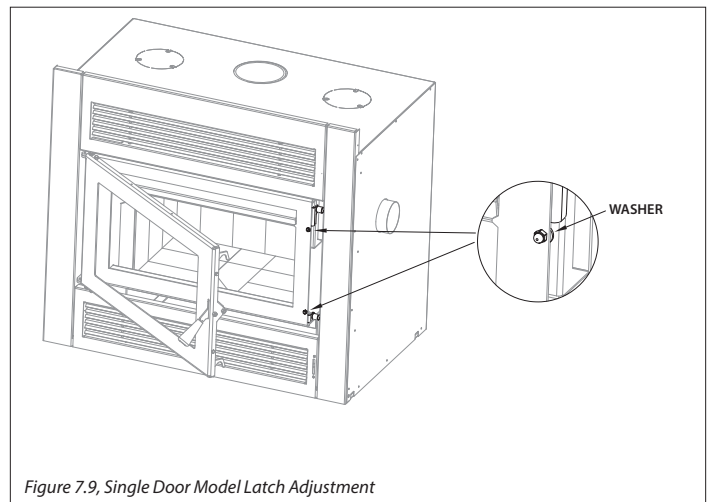
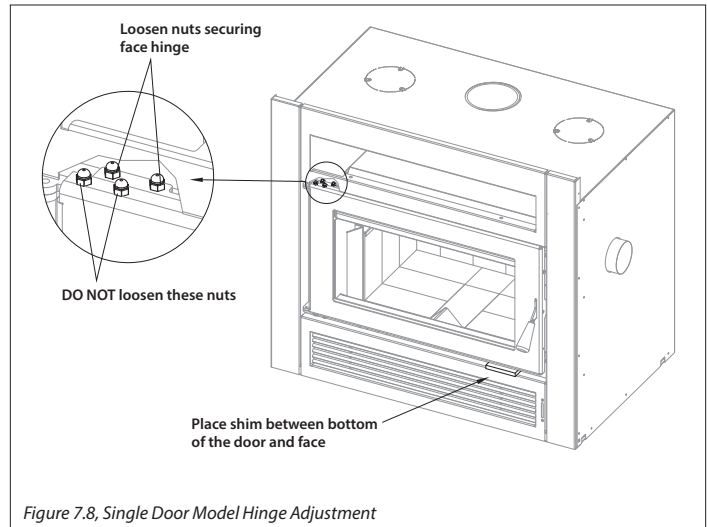
NOTE: Door may need to be 'pulled out' if binding occurs at either the top or bottom right corners.

1. Close and latch door.
2. Place wooden shim (included) between the bottom of door and the face on the latch side. This is necessary to 'hold' door in horizontal alignment.
3. Determine if the upper, lower or both hinges need adjustment.
 - UPPER FACE HINGE: Remove upper grill. Locate two nuts securing upper face hinge.
 - LOWER FACE HINGE: Open lower grill, locate two nuts securing lower face hinge (similar to upper grill hinge).
4. Using a 7/16 wrench or nut driver, LOOSEN, BUT DO NOT REMOVE, the two nuts. Push door in slightly, (either top or bottom, depending on adjustment needed) to achieve a tighter door seal. Re-tighten nuts.
5. Remove shim. Repeat steps #1 & #2" Section 7.4.1.1 above.
6. Repeat steps #1 - #5 of this section until proper door seal is achieved.

7.4.1.3 Latch Adjustment

NOTE: A washer has been installed on each mounting bracket at the factory. You may only need to place a washer at the top or the bottom mounting bolt, depending on where the seal needs adjustment.

1. Open door. Locate the 'latch dog' secured to firebox face.
2. Determine whether the upper, lower or both corners of the door seal need adjustment.
3. Remove and save acorn nuts securing latch dog. Remove and save latch dog.
4. Place a washer (included in parts packet) onto top and/or bottom mounting bolt on latch dog. Re-install onto firebox face.
5. Re-install acorn nuts.
6. Re-check door seal as instructed in Section 7.4.1.1 above.



7.4.2 Cast Door Model

7.4.2.1 Checking the Seal

1. Open doors.
2. Insert a piece of paper between the door and face frame. Close and latch doors.
3. Gently pull paper. If removed with little or no force, the door seal needs adjustment. Follow directions below for seal adjustment.
4. Perform the paper test on all outside edges of doors.

7.4.2.2 Seal Adjustment

IMPORTANT: Do not tighten doors to point that the paper cannot be removed. This will cause the gasketing to compress and prematurely fail.

Tools needed:

(2) 1/2" wrenches

(1) 5/64 allen wrench

1. Note the orientation of the latch and the door handle.
 2. Place one 1/2" wrench on the 5/16 nut located farthest away from door frame, and place one 1/2" wrench on the door key block, then loosen the nut.
 3. Loosen the allen screw with the allen wrench just far enough to allow you to rotate the latch.
 4. The latch must be rotated one full turn in either direction, depending on whether the door seal needs tightening or loosening. The latch should line up with the door handle when completed.
 5. Tighten the allen screw with the allen wrench.
 6. Re-tighten 5/16 nut.
- Eventually gasketing material will need to be replaced. When no amount of door seal adjustment creates a seal, replace door gasketing.
 - When replacing gasketing, remember to first reverse door latch several rounds to accommodate thicker material. Adjust as needed.

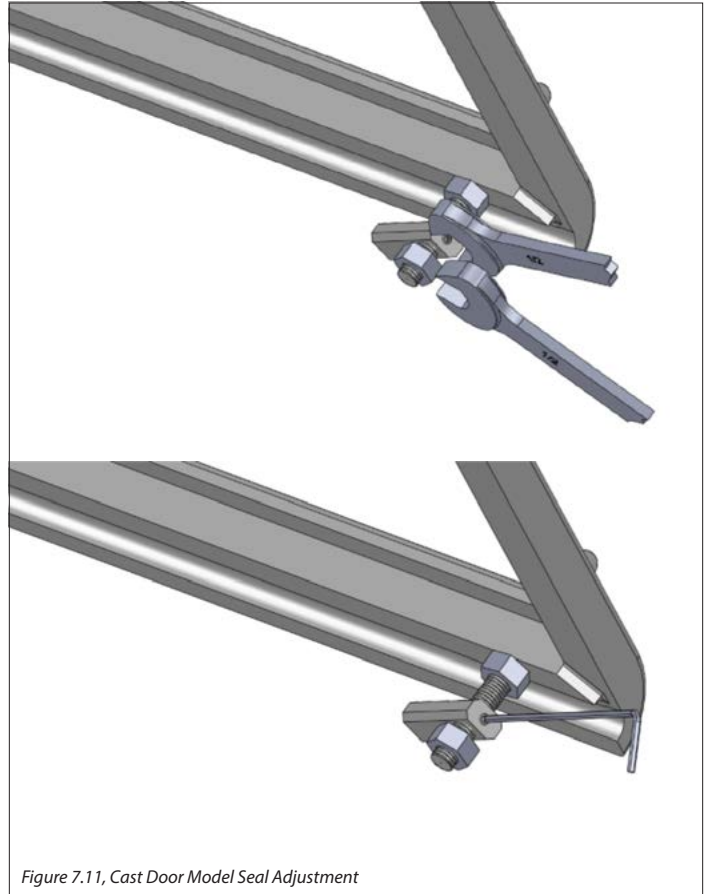


Figure 7.11, Cast Door Model Seal Adjustment

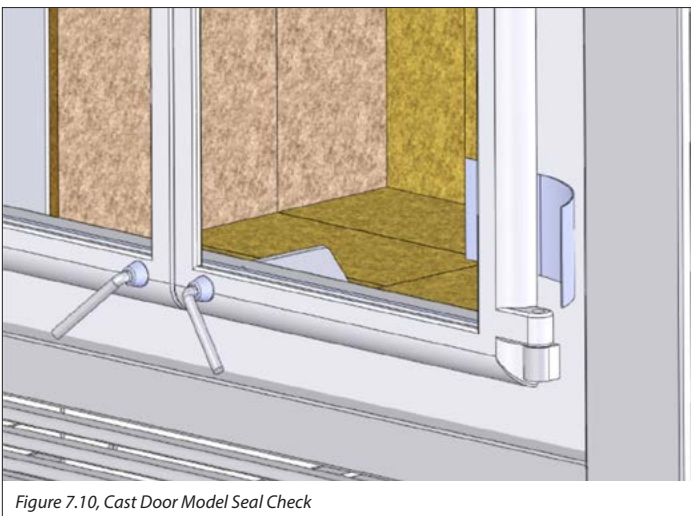


Figure 7.10, Cast Door Model Seal Check

8.0 FIREPLACE OPERATION

8.1 Fireplace Information

Young children should be carefully supervised when they are in the same room as the appliance. Toddlers, young children, and other individuals at-risk are susceptible to accidental contact burns. A physical barrier is recommended if there are at-risk individuals in the home. To restrict access to a fireplace or stove, install an adjustable safety gate to keep toddlers, young children, and other at-risk individuals out of the room and away from hot surfaces.

WARNING: DO NOT INSTALL A FIREPLACE INSERT OR ANY OTHER PRODUCT NOT SPECIFIED FOR USE WITH THIS FIREPLACE.

WARNING: THIS FIREPLACE HAS NOT BEEN TESTED WITH ANY GAS COMPONENT OR ACCESSORY.

DO NOT INSTALL A GAS COMPONENT, INCLUDING A GAS LOG SET INTO THIS FIREPLACE.

This fireplace system uses outside air for combustion. Air is drawn into fireplace from outside your home, thus eliminating valuable oxygen being pulled from inside the home where it is needed for other fuel burning appliances.

Kozy Heat's air seal door system seals the fireplace, eliminating heat loss, allowing you to completely control your fire. This gives you maximum heat potential using a minimum amount of firewood.

The Kozy Heat fireplace heating system creates heat by convection air flow through the heat chamber surrounding the fireplace. Room air is drawn into lower grill, is heated as it circulates up through the chamber, and exits through upper grill. Optional Fan Kit #600-1 increases circulating air flow. This heated air can also be ducted to other rooms through use of the #970 Heat Duct Kit.

8.2 Tips for Burning

WARNING: FOR USE WITH SOLID FUEL ONLY.

Use solid wood, or processed solid fuel firelogs only. If processed solid fuel firelogs are used, do not poke or stir logs while they are burning. Use only firelogs that have been evaluated for the application in fireplace and refer to firelog warnings and caution markings on packaging prior to use.

- Except when loading and during start-up burn, the fireplace must be operated with the door(s) closed.
- Do not store clothing, furniture or combustibles within 36" (914mm) of the fireplace.
- Some fuels, such as charcoal, may generate carbon monoxide, a dangerous, odorless gas. Exposure to carbon monoxide may cause serious illness or death.
- It is recommended that smoke detectors be installed in your home as required by local building codes or the Authority Having Jurisdiction.
- This heater is designed to burn natural wood only. Higher efficiencies and lower emissions generally result when burning air dried seasoned hardwoods, as compared to softwoods or to green or freshly cut hardwoods.. Extremely hard woods, such as oak or ash, can require up to two years of drying time to be sufficiently dry.

DO NOT BURN

- (1) Garbage;
- (2) Lawn clippings or yard waste;
- (3) Materials containing rubber, including tires;
- (4) Materials containing plastic;
- (5) Waste petroleum products, paints or paint thinners, or asphalt products;
- (6) Materials containing asbestos;
- (7) Construction or demolition debris;

- (8) Railroad ties or pressure-treated wood;
- (9) Manure or animal remains;
- (10) Salt water driftwood or other previously salt water saturated materials;
- (11) Unseasoned wood; or
- (12) Paper products, cardboard, plywood, or particleboard. The prohibition against burning these materials does not prohibit the use of fire starters made from paper, cardboard, saw dust, wax and similar substances for the purpose of starting a fire in an affected wood heater. Burning these materials may result in release of toxic fumes or render the heater ineffective and cause smoke.

8.3 How to Operate the Z-42 Fireplace

WARNING: This fireplace should be operate only with the door(s) closed and latched. Operating fireplace with the door(s) open causes flames to be drawn out into the living space, creating a smoke and fire risk.

1. Open intake damper by putting it in 'O' (up) position.
2. Build a base of kindling wood and crumpled newspaper. The base of kindling should be no closer than 6" (152mm) from the front of the firebox.
3. Do not elevate fire. Do not use a grate, andirons, or other methods of supporting the fuel.
4. Light fire with matches.
NEVER USE GASOLINE, GASOLINE-TYPE LANTERN FUEL, KEROSENE, CHARCOAL LIGHTER FLUID OR SIMILAR LIQUIDS TO START OR 'FRESHEN UP' A FIRE. KEEP ALL SUCH LIQUIDS WELL AWAY FROM FIREPLACE WHILE IT IS IN USE.
5. As the fire builds push the door closer to the firebox to promote a good fire start-up. Leave approximately a 1" gap between the door and the firebox. Keep the damper in the 'O' (up) open position.
6. As the kindling burns continue to add slightly larger wood. If possible lay (2) logs front to back on the sides of the firebox with larger kindling or small logs diagonally over the base.
7. When the fire is burning well on kindling add larger wood. It is recommended 2-3 pieces of larger wood. Keep the door pushed closed 1" away from the firebox after the initial loading of this wood to promote a strong fire. Once the fire has started to engulf the added wood you can start to close the door completely.
8. Slowly load the firebox with average sized wood over a period of 30-45 minutes. DO NOT OVER-FIRE, this could damage the fireplace and void warranty.
9. Adjust intake damper to desired heat output position. See Figure 8.1. To keep glass cleaner, never completely close the intake damper.

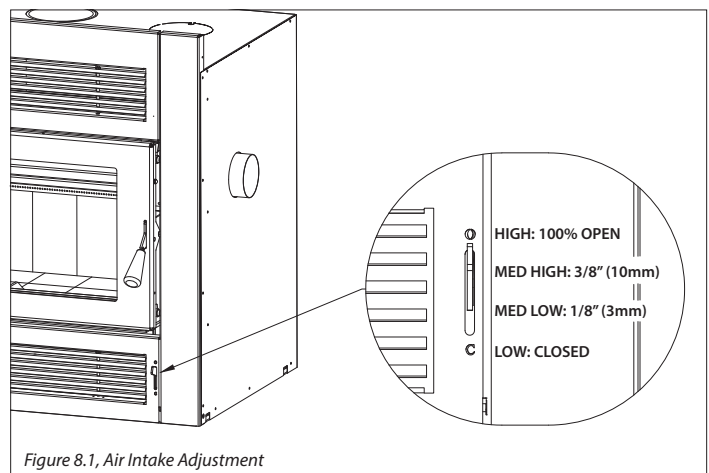


Figure 8.1, Air Intake Adjustment

9.0 MAINTENANCE REQUIREMENTS

9.1 Ash Disposal

Ashes should be placed in a metal container with a tight-fitting lid. The closed container of ashes should be placed on a non-combustible floor or on the ground, well away from all combustible materials, pending final disposal.

If the ashes are disposed of by burial in the soil or otherwise locally dispersed, they must be retained in the closed container until all cinders have thoroughly cooled.

9.2 Creosote - Formation and Need for Removal

When wood is burned slowly, it produces tar and other organic vapors, which combine with expelled moisture to form creosote. The creosote vapors condense in the relatively cool chimney flue of a slow-burning fire. As a result, creosote residue accumulates on the flue lining. When ignited, this creosote makes an extremely hot fire.

The chimney should be inspected monthly during the heating season to determine if a creosote buildup has occurred. If a significant layer of creosote has accumulated (1/8" [3mm] or more) it should be removed to reduce the risk of a chimney fire.

Inspection can be accomplished from the top of chimney cap or from inside the stove by removing upper firebrick.

We recommend a professional chimney cleaner inspect and clean the chimney at least once annually.

9.3 Glass Information

Do not operate this appliance with the glass frame assembly removed, cracked, or broken. The glass assembly shall only be replaced as supplied by Hussong Mfg. Co., Inc. Replacement of the glass assembly must only be performed by a licensed or qualified service person. DO NOT SUBSTITUTE MATERIALS.

- Do not strike or slam doors. This may cause glass damage.
- In the event of glass breakage, let fireplace cool completely.
- DO NOT USE THIS FIREPLACE WITH BROKEN OR CRACKED GLASS.
- Replace only with Kozy Heat #150-380 for Model #Z-42 / #150-250 for Model Z-42-CD. Do not substitute materials.
- Clean glass on a regular basis. Should glass become discolored with creosote, follow this procedure for easy removal.

Burn fireplace with the outside air damper completely open for 30-45 minutes. This will normally clean the glass and also minimize ashes in the firebox.

Oven cleaner or a cleaner specifically designed for fireplace may also be used. DO NOT use abrasive cleaners. Clean only when glass is cool.

9.3.1 Broken Glass Removal

9.3.1.1 Single Door Model

1. Open door to a 45° angle from face.
2. Remove bottom hinge pin.
3. Lift door up off hinges far enough to release upper hinge pin.
4. Remove door and lay face side down on a flat protected surface.
5. Remove and save screws and glass clips. Carefully remove broken glass.
6. Place new glass with gasket inside door frame (gasket with second layer should be facing you).
7. Secure glass with glass clips and screws previously removed.

(Glass clips are placed between first and second layers of gasket).

8. Re-install door and hinge pins.

9.3.1.2 Cast Iron Model

1. Remove door /doors from fireplace by lifting 'up' off hinges. Lay face down on a flat protected surface.
2. Remove and save screws and glass clips. Carefully remove broken glass. Inspect glass gasket on inside frame of door / doors. Replace if necessary.
3. Place new glass with gasket inside door frame, secure with glass clips and screws previously removed.
4. Re-install door and hinge pins, making sure pins are properly seated before closing door / doors.

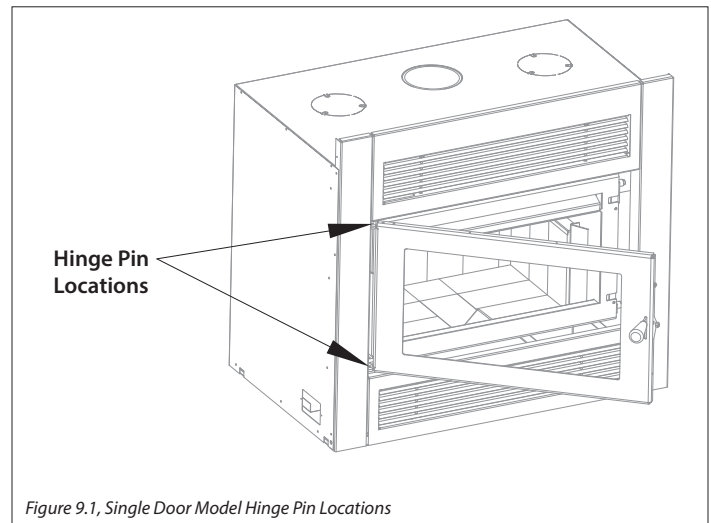


Figure 9.1, Single Door Model Hinge Pin Locations

10.0 TROUBLESHOOTING

Issue	Cause
Smoke enters back through door when opened	Negative pressure in the home. Chimney not high enough.
Smoke enters back when first starting fire	Cool wind cooling poorly insulated chimney. Adjacent structures, trees, etc., too close to chimney. Remove or raise chimney.
Smoke enters the room when the fire dies down	Screen on chimney top too fine, or plugged. Restriction within chimney (creosote, mortar, leaves, bird nest, etc.). Ice buildup on chimney top.
Smoke exits out of doors or intake pipe when the wind is from a certain direction	
Fireplace won't generate enough heat	Wood not seasoned or is wet from snow or rain. Not enough wood being burned. Obstructed grill openings.
There is an odor coming from the fireplace	New paint. This odor will disappear after several burn periods. Open doors & windows to ventilate during initial burn period.

11.0 REPLACEMENT PARTS

Replacement parts are available through your local dealer. Contact your local dealer for availability and pricing.

WARNING: This product and the fuels used to operate this product (wood), and the products of combustion of such fuels, can expose you to chemicals including carbon black, which is known to the State of California to cause cancer, and carbon monoxide, which is known to the State of California to cause birth defects or other reproductive harm. For more information, go to www.P65Warnings.ca.gov

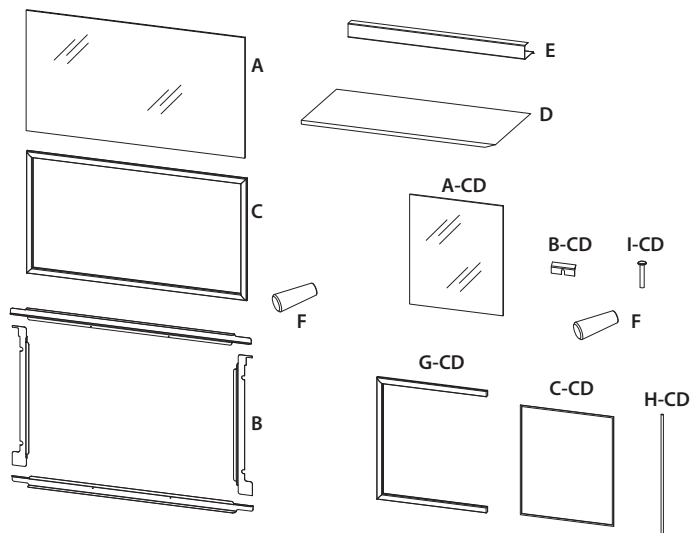
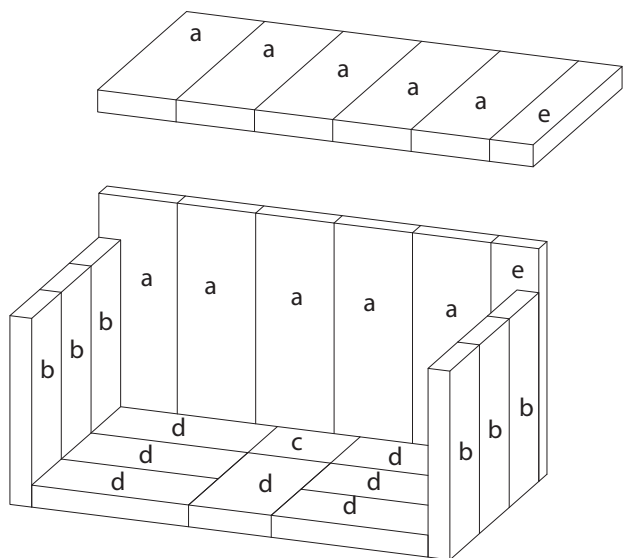
OPTIONAL ACCESSORIES	
970	Heat Duct Kit
617	44" Lintel Iron
945	4" Air Vent Non-Closure

OPTIONAL FAN KIT	
600-1	Fan Kit (2) 110 CFM
404-4	Limit Switch Assembly
600-085	Speed Control (only)

FIREBRICK		
	Z42-500	Z-42 Firebrick Kit
a	Z42-501	13-1/2" x 4-1/2" Firebrick
b	Z42-503	10-3/4" x 4-1/2" Firebrick
c	Z42-504	4-1/2" x 4-1/2" Firebrick
d	Z42-502	9" x 4-1/2" Firebrick
e	Z42-505	13-1/2" x 2-1/2" Firebrick

Z-42 REPLACEMENT PARTS		
A	150-380	Replacement Glass
B	200-181	Glass Clips (4)
C	810	Glass Gasket
D	Z42-900	Refractory Brick Panel
E	111-121	Stainless Steel Firebrick Retainer
F	500-308	Black Wooden Handle

Z-42-CD REPLACEMENT PARTS		
A-CD	150-250	Replacement Glass
B-CD	200-160	Glass Clips (8)
C-CD	808	Glass Gasket Kit (1 per door)
D	Z42-900	Refractory Brick Panel
E	111-121	Stainless Steel Firebrick Retainer
F	500-308	Black Wooden Handle
G-CD	804	Door Gasket Kit (1 per door)
H-CD	500-404	Banger Rope
I-CD	300-349	Door Pins



Hussong Manufacturing Co., Inc.
P.O. Box 577
204 Industrial Park Drive
Lakefield, MN 56150-0577 USA
Z-42 and Z-42-CD

LIMITED 20 YEAR WARRANTY

Warranty Coverage

Hussong Manufacturing Company, Inc. (Hussong Mfg.) warrants this Kozy Heat wood burning appliance from the date of purchase to the original purchaser, that it is free of defects in materials and workmanship at the time of manufacture. Registering your fireplace warranty does not require any documents to be sent in to Hussong Mfg. Please retain your proof of purchase reflecting the date of purchase along with the serial number and model of your fireplace for any future warranty claims.

If a defect is noted within the warranty period, the customer should contact their authorized dealer for service within 30 days.

30 Days: Parts & Labor*

- Paint
- Gasket material

Year 1: Parts & Labor*

- Glass (breakage from thermal shock)

- Handles
- Firebrick and top refractory panel
- Fan kit and speed control

**Hussong Mfg. will issue labor reimbursement to an authorized dealer only. Hussong Mfg. will not be liable for charges occurred as a result of any service performed by a non-authorized service provider, without pre-authorization.*

Years 2 through 20: Parts Only

- Firebox assembly
- Outer fireplace shell
- Door assembly
- Air tubes (against warpage)
- Air tube support brackets
- Ash lip / hearth extension
- Firebrick retainer

EXCLUSIONS AND LIMITATIONS

1. This appliance must be installed by a licensed, authorized service technician or contractor. It must be installed, operated and maintained at all times in accordance with the instructions in the owner's manual or the warranty is void.
2. This warranty is nontransferable and is made to the original purchaser only.
3. This warranty excludes standard wear and tear of the appliance which is considered normal usage over time. Damage resulting from operational-related problems such as over-firing, down drafts, smoke spillage, corrosive woods are not considered warranty problems and will not be covered.
4. Discoloration and some minor expansion, contraction or movement of certain parts, resulting in noise, is normal and not a defect.
5. Warranty is automatically voided if the appliance's serial number and/or testing label is removed or if the appliance is altered or tampered with in any way.
6. Warranty is void if the appliance is subject to submersion in water or prolonged periods of dampness or condensation. Any damage to any part of the appliance due to water or weather damage which is the result of, but not limited to, improper chimney/venting installation will also render this warranty void.
7. This warranty does not cover installation and operational related problems such as environmental conditions, nearby trees, buildings, hilltops, mountains, inadequate venting or ventilation, excessive offsets, negative air pressures caused by any mechanical systems.
8. Chimney components and other Non-Hussong Mfg. accessories used in conjunction with the installation of this appliance are not covered under this warranty.
9. Damage to plated surfaces or accessories, if applicable, caused by scratches, fingerprints, melted items or other external sources left on the surfaces from the use of cleaners is not covered under this warranty.
10. It is expressly agreed and understood that this warranty is Hussong Mfg.'s sole obligation and purchaser's exclusive remedy for defective fireplace equipment. Hussong Mfg. is free of liability for any damages caused by this appliance, as well as inconvenience expenses and materials. Incidental or consequential damages are not covered by this warranty. In some states, the exclusion of incidental or consequential damage may not apply. Hussong Mfg. shall not be held to implied warranties and this warranty shall replace all previous warranties.
11. This limited 20 year warranty is the only warranty supplied by Hussong Mfg. Any warranties extended to the purchaser by the dealer/distributor, whether expressed or implied, are hereby disclaimed and the purchaser's recourse is expressly limited to the warranties set forth herein.
12. Any part repaired or replaced during the limited warranty period will be warranted under the terms of the limited warranty for a period not to exceed the remaining term of the original limited warranty.
13. Any replacement part repaired after the warranty period will include a 90 day parts coverage
14. Hussong Mfg. may require the defective part to be returned using a pre-authorized RGA number or a photo of the defective component. Failure to provide either can result in a denied claim.
15. This warranty does not cover the appliances ability to heat a desired space, as there are many factors that can impact the heating performance in each home. Consideration should be implied to the fuel source, appliance's location, room size, home design, environmental conditions, insulation, and tightness of the home.
16. Hussong Mfg. reserves the right to make changes at any time, without notice, in design, material, specifications, and prices. Hussong Mfg. reserves the right to discontinue models and products.

