

Woodstove Insert Installation – Customer Worksheet

Email finished worksheet to: kchearth.service@gmail.com

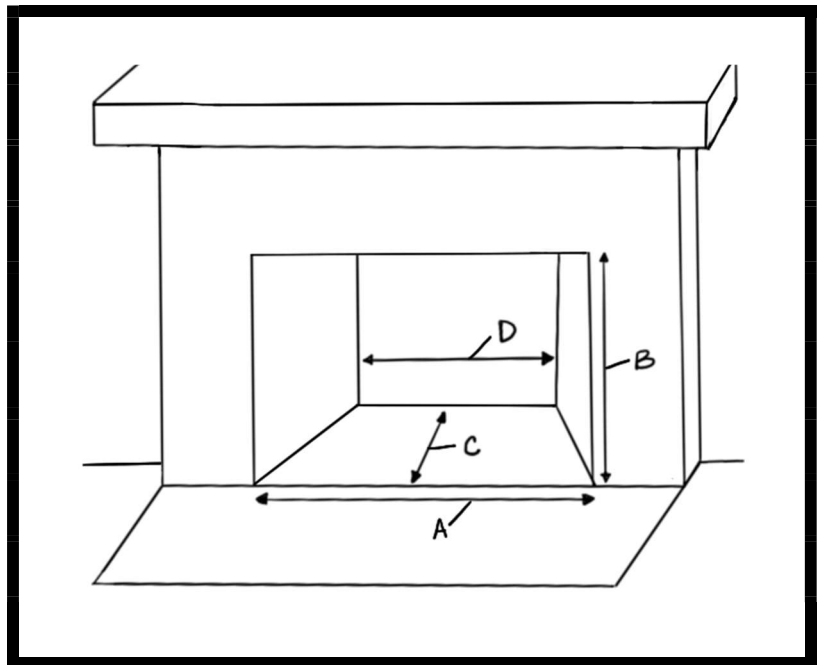
Initial Price Estimate: \$

Name: _____ Phone: () - _____

Address: _____ Email: _____

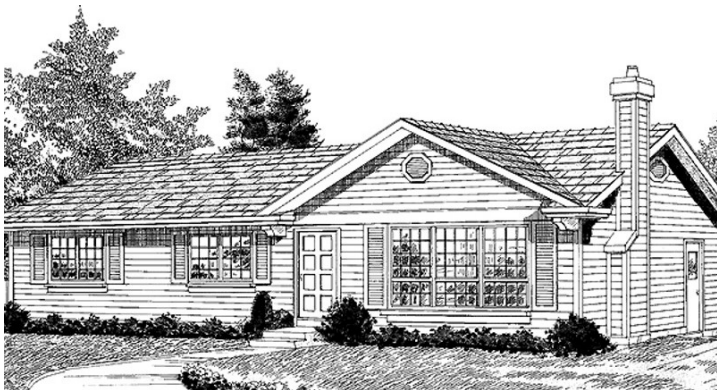
City: _____ State: _____ Zip: _____

OPTIONS	Kuma Stove	
	UNIT:	Alpine or Cascade
	DOOR:	✓ Black Door
	PANELS:	INCLUDED
	BLOWER:	INCLUDED
Fireplace Measurements		
A	_____	inches
B	_____	inches
C	_____	Inches
D	_____	inches

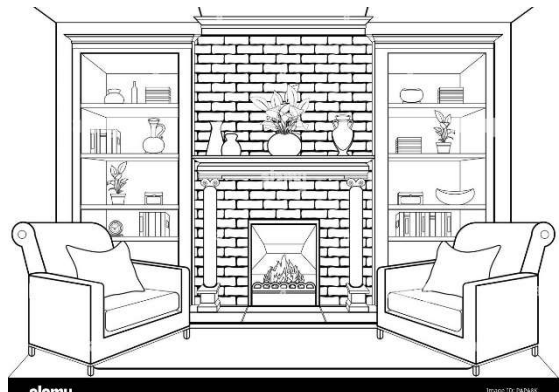


Pictures are REQUIRED for a Proposal: *(More may be requested)*

1. Exterior photo of the home where you can see the chimney, ground to chimney cap.



2. Interior photo of the fireplace where you can see the floor to the ceiling.



Thank you for your inquiry. We will put together a proposal and email it back as soon as possible.