

# Existing Fireplace to Vent-Free Fireplace Change Out

Email finished worksheet to: [kchearth.service@gmail.com](mailto:kchearth.service@gmail.com)

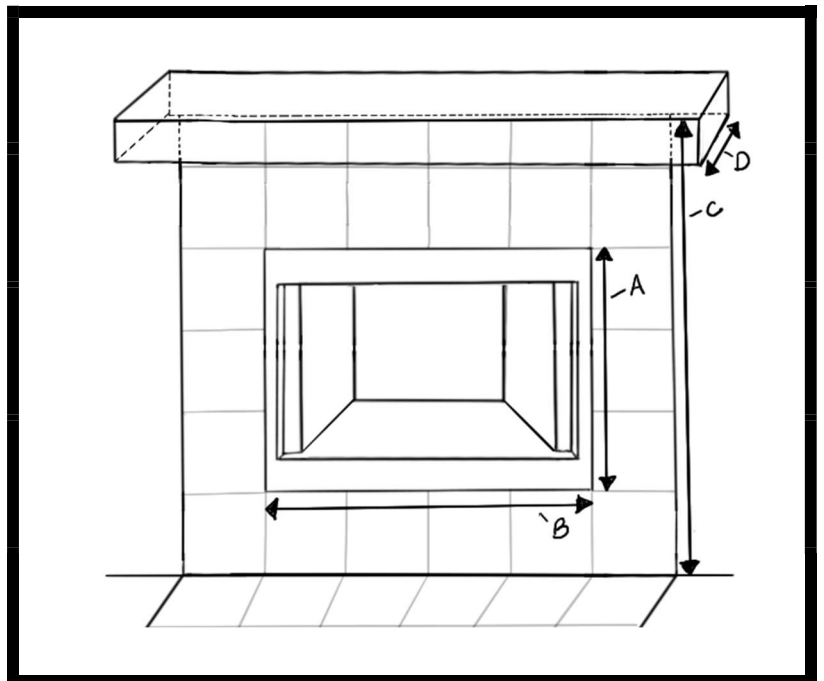
Name: \_\_\_\_\_ Phone: (        )        - \_\_\_\_\_

Address: \_\_\_\_\_ Email: \_\_\_\_\_

City: \_\_\_\_\_ State: \_\_\_\_\_ Zip: \_\_\_\_\_

Options	<b>MODEL:</b>	<input type="checkbox"/> VFD32 <input type="checkbox"/> VFD36 <input type="checkbox"/> VFD42 <input type="checkbox"/> VFS42 <small>Measurements of existing fireplace will allow us to give you the closest fit.</small>
	<b>LOUVERS:</b>	<input type="checkbox"/> YES <input type="checkbox"/> NO    (Not available for VFS42)
	<b>VFD LINERS:</b>	<input type="checkbox"/> Aged Brick <input type="checkbox"/> Banded Brick <input type="checkbox"/> Limestone
	<b>VFS LINERS:</b>	<input type="checkbox"/> Banded Brick <input type="checkbox"/> Herringbone Brick <input type="checkbox"/> Limestone
	<b>BLOWER:</b>	<input type="checkbox"/> YES <input type="checkbox"/> NO
	<b>TRIM KIT:</b>	<input type="checkbox"/> YES <input type="checkbox"/> NO
	<b>EXTENDED HOOD:</b>	<input type="checkbox"/> YES <input type="checkbox"/> NO
	<b>CUSTOM SCREEN DOOR:</b>	<input type="checkbox"/> YES <input type="checkbox"/> NO    (Starts at \$1500, you choose your finishes)

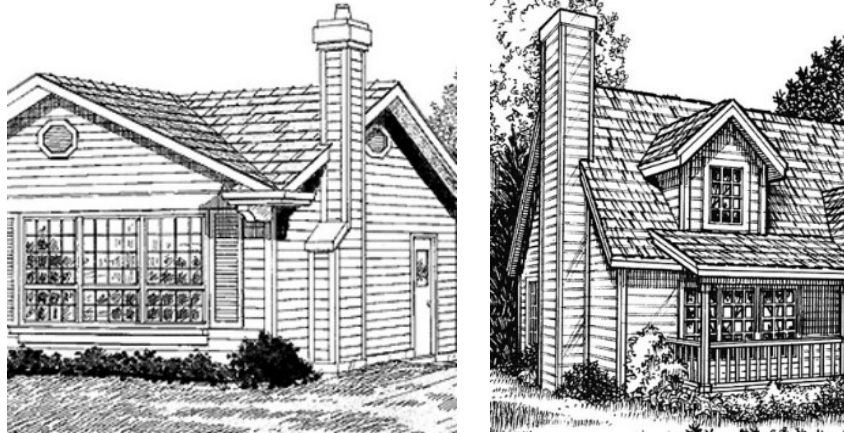
Existing Fireplace Measurements	
A	inches
B	inches
C	Inches
D	inches



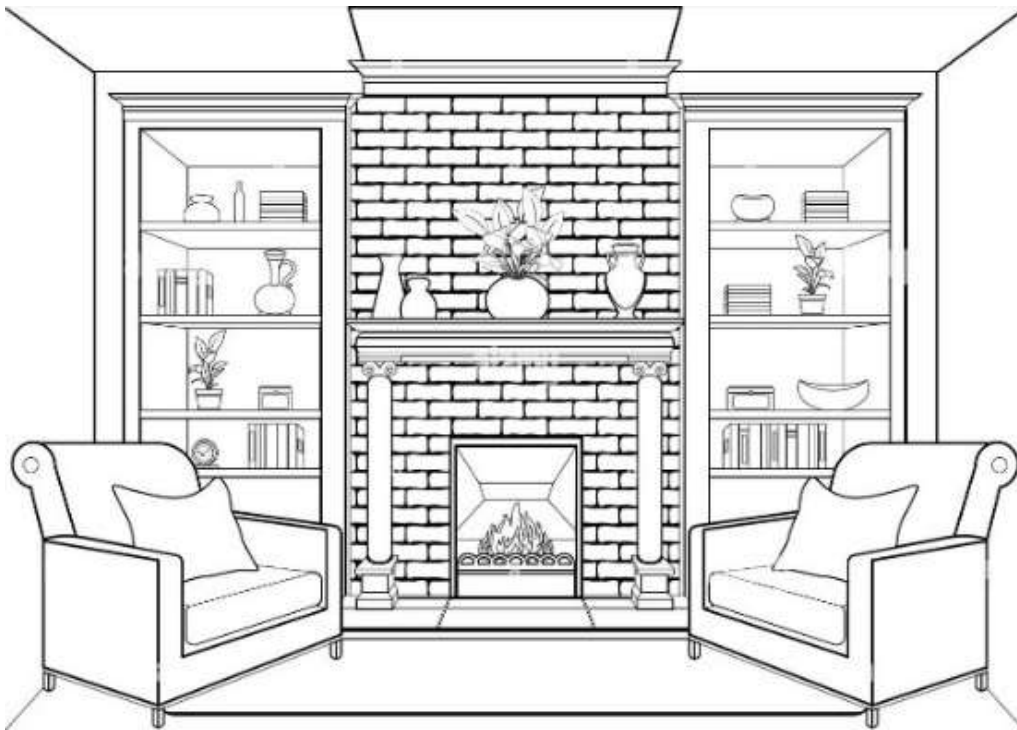
**More Measurements may be requested.**

**Pictures are REQUIRED for a Proposal: (More may be requested)**

1. Exterior photo of the home where you can see the ground to the top of the chimney.  
*If no chimney exists, take a picture of the home, ground to peak of roof.*



2. Interior photo of the fireplace where you can see the floor to the ceiling.  
*If new construction, take a picture of the framing of the fireplace. Also, please include a picture from the fireplace up the chimney chase.*



**Thank you for your inquiry. We will put together a proposal and email it back as soon as possible.**